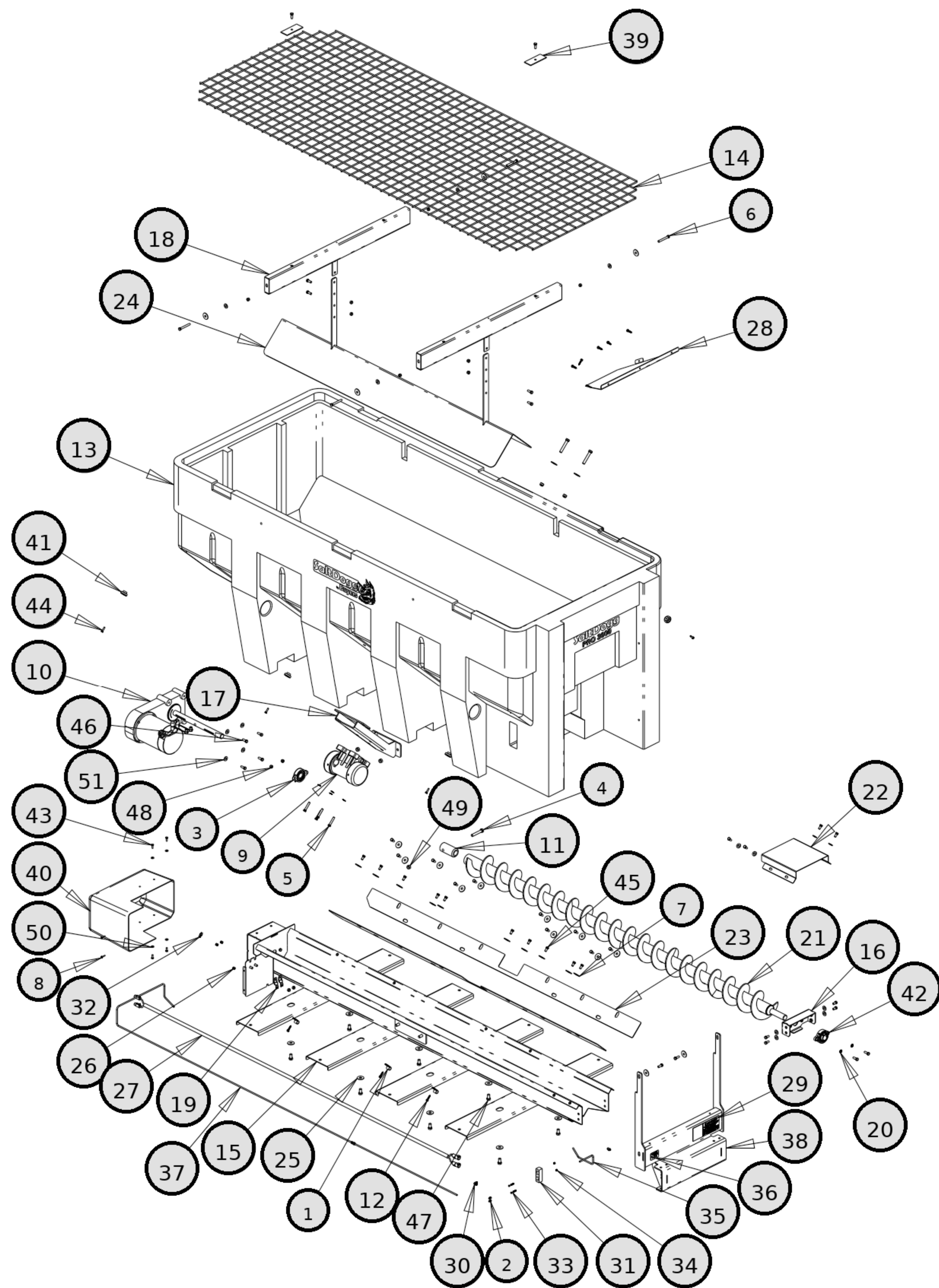




PRO POLY SPREADERS - ELECTRIC - 3CY-8CY

FIGURE LIST

| Page | Description |
|------|--|
| 1 | PRO3000 HOPPER ASSEMBLY |
| 3 | PRO3000CH HOPPER ASSEMBLY |
| 5 | PRO3000CH PRO3000 MAIN ASSEMBLY |
| 6 | PRO3000CH PRO3000 CHUTE ASSEMBLY |
| 7 | PRO4000 MAIN ASSEMBLY |
| 8 | PRO4000 HOPPER ASSEMBLY |
| 9 | PRO4000CH ACCESSORIES - FLIP UP CHUTE (CURRENT) |
| 10 | PRO4000CH HOPPER ASSEMBLY - FLIP-UP CHUTE (CURRENT) |
| 11 | PRO4000CH SCREEN AND INVERTED VEE |
| 12 | PRO4000CH ACCESSORIES - SIDE SWING CHUTE |
| 13 | PRO4000CH HOPPER ASSEMBLY, SIDE SWING CHUTE |
| 15 | PRO6000 MAIN ASSEMBLY |
| 16 | PRO6000 HOPPER ASSEMBLY |
| 17 | PRO6000CH HOPPER ASSEMBLY, SWING UP CHUTE |
| 18 | PRO6000CH CONTROLLER KIT |
| 19 | PRO6000CH MAIN ASSEMBLY, SIDE SWING CHUTE |
| 20 | PRO6000CH PRO6000 SCREEN AND INVERTED VEE |
| 21 | PRO6000CH PRO6000 PRO4000CH PRO4000 CHUTE ASSEMBLY, SIDE SWING |
| 22 | PRO8000 HOPPER ASSEMBLY |
| 23 | PRO8000CH HOPPER ASSEMBLY |
| 24 | PRO8000CH PRO8000 MAIN ASSEMBLY |
| 25 | PRO8000CH PRO8000 PRO6000CH PRO4000CH FLIP UP CHUTE |
| 26 | PRO8000CH PRO8000 PRO6000CH PRO6000 PRO4000CH PRO4000 PRO3000CH PRO3000 CONTROL HARNESSSES |
| 27 | PRO8000CH PRO8000 CONTROLLER KIT |

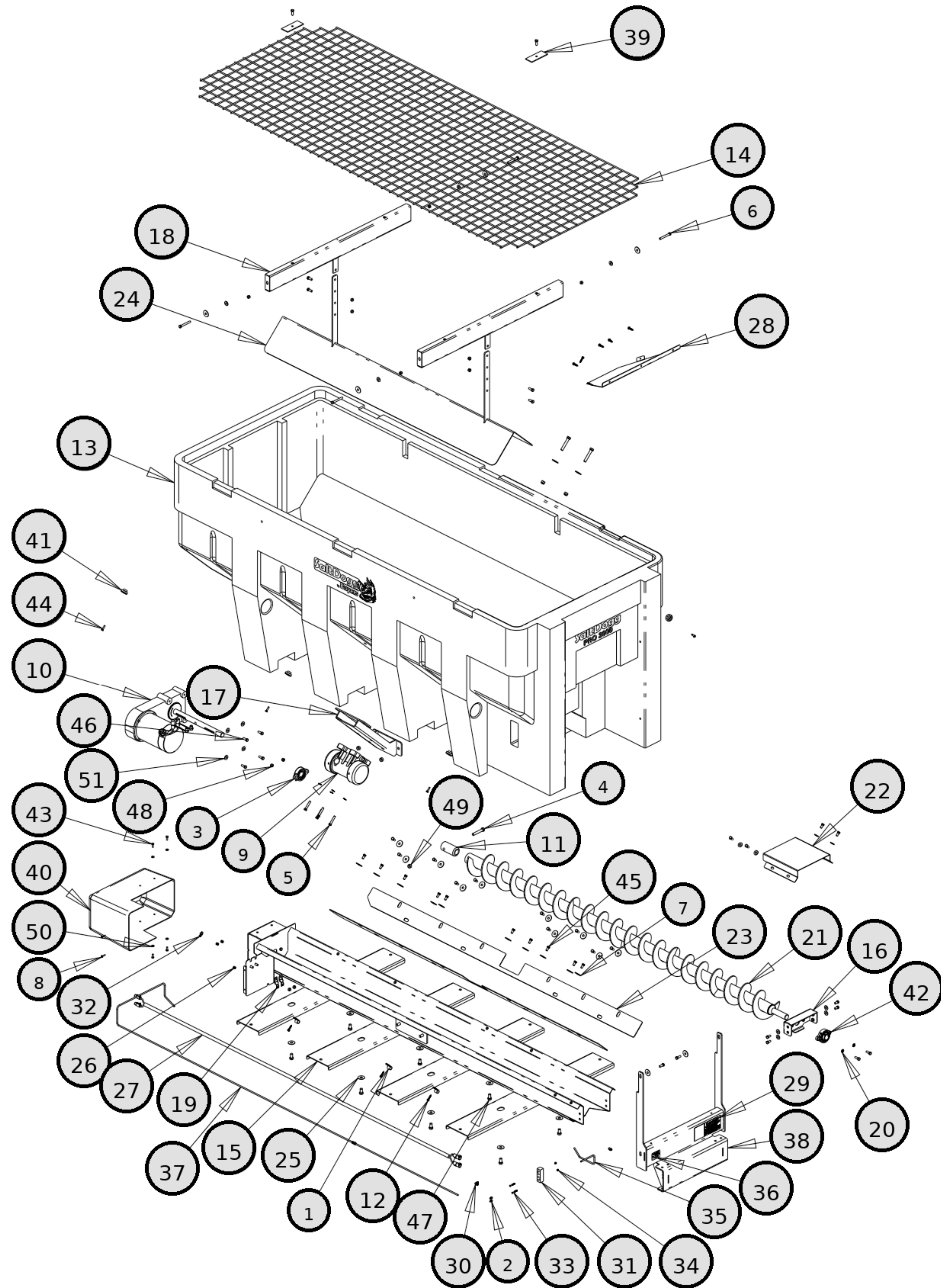


| REF | PN | DESCRIPTION |
|-----|----------------|---|
| 1 | 750 | CLAMP, HOSE .750, 13/32 HOLE |
| 2 | 800 | GREASE FITTING, 1/4 STD |
| 3 | 1410200 | BEARING, FLANGED 1-1/8" |
| 4 | 3001250 | SCREW, HHC-1/2-13 X 3 SST |
| 5 | 3007066 | SCREW, HHC-3/8-16 X 2 SST |
| 6 | 3007068 | CAP SCREW, HX HD-3/8-16X3 SST |
| 7 | 3007115 | WASHER, FLAT 3/8 X 1.5 X.048 SST |
| 8 | 3007522 | SCREW, SHEET MTL #12X1.0 HEX WASHER HD SST |
| 9 | 3012081 | VIBRATOR 450 LBS, 12 VDC |
| 10 | 3013821 | GEAR MOTOR CONVEYOR 12 VDC |
| 11 | 3014858 | SLEEVE, AUGER ADAPTER |
| 12 | 3015925 | SCREW #14X1.25 SST |
| 13 | 3015951 | HOPPER POLY 3.0 CU YA |
| 14 | 3015999 | TOP SCREEN SHPE3000 |
| 15 | 3016165 | TROUGH AUGER, WELDMENT |
| 16 | 3016192 | BEARING BRACKET ASSEMBLY |
| 17 | 3016696 | BRACKET, VIBRATOR WELDMENT |
| 18 | 3016701 | BRACKET WELDMENT, INVERTED VEE |
| 19 | 3017121 | BRACKET, RECEPTACLE SZ8 DEUTSCH |
| 20 | 3017356 | WASHER, EXTERNAL TOOTH LOCK 3/8 SS |
| 21 | 3017358 | AUGER SHPE3000 |
| 22 | 3017370 | COVER, TROUGH SHPE3000 |
| 23 | 3017371 | SHIELD TROUGH, SHPE3000 |
| 24 | 3017393 | INVERTED VEE, SHPE300 |
| 25 | 3017858 | WASHER FLAT .5 ID 1.5 OD SST |
| 26 | 3017982 | WIRE BUSHING OPEN/CLOSED HEYCO 2867 |
| 27 | 3019878 | EXTENSION WIRE HARNESS 8FT MOTOR |
| 28 | 3025124 | COVER DISCHARGE SHPE3000 |
| 29 | 3032591 | DECAL, DANGER, MOVING CONVEYOR/AUGER |
| 30 | 3035345 | GREASE FITTING 1/4TUBE 1/4-28 MALE 90 DEGREES |
| 31 | 3035346 | RIGHT ANGLE JUNCTION BLOCK |
| 32 | 3035347 | GREASE FITTING 1/4TUBE 1/8 NPT STRAIGHT |
| 33 | 3035357 | SCREW SOCKET HD, RND 8-32X 1.50 SST |
| 34 | 3035358 | NUT, NYLOCK 8-32 SST, BLACK OXIDE |
| 35 | 3035359 | GREASE TUBE REAR BEARING AUGER |
| 36 | 3035854 | LABEL PATENT |
| 37 | 3036052 | GREASE HOSE FRONT PS SIDE |
| 38 | 3045623 | CHUTE ATTACHMENT |
| 39 | 3045720 | RETAINER |
| 40 | 3045734 | HOUSING, MOTOR |
| 41 | 3047855 | ANCHOR, TARP |
| 42 | 9240086 | BEARING, 1-1/4 FLANGE 2 HOLE |
| 43 | FCS025020075SS | SCREW, CAP 1/4-20 X 3/4 SST |
| 44 | FCS025020100SS | SCREW, CAP HEX HD 1/4-20 X 1 SST |
| 45 | FCS038016075SS | SCREW, HHC-3/8-16 X 3/4 SST |
| 46 | FCS038016100SS | SCREW, HHC 3/8-16 X 1 304 SST |
| 47 | FCS050013100SS | SCREW, HHC-1/2-13 X 1 SST |
| 48 | FNE038016044SS | NUT, NYLOCK 3/8-16 X 7/16 SST |
| 49 | FNE050013053SS | NUT, NYLOCK 1/2-13 SS |

HOPPER ASSEMBLY

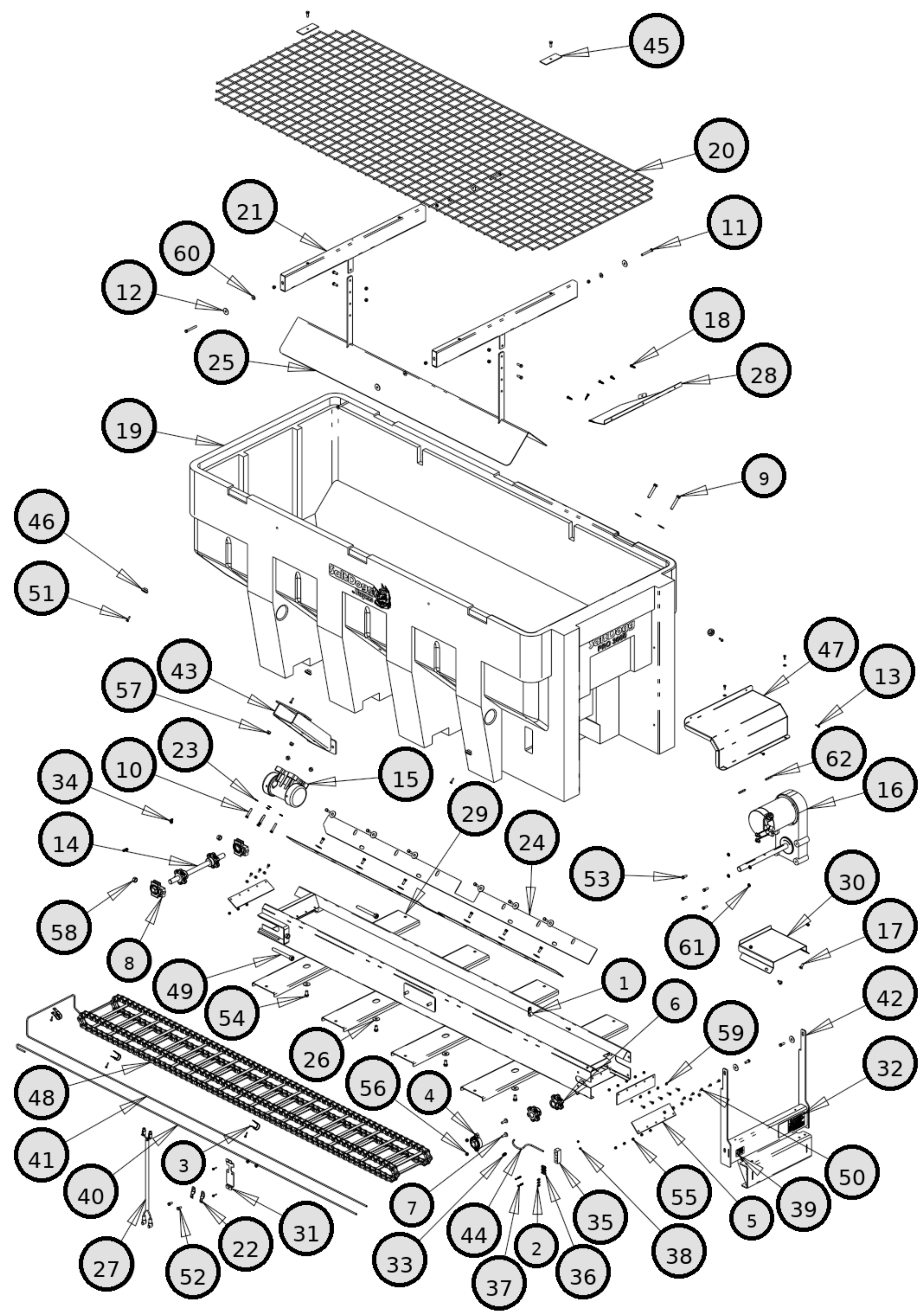
PRO3000

| REF | PN | DESCRIPTION |
|-----|----------------|--------------------------|
| 50 | FWF025063007SS | WASHER, FLAT 1/4 SAE SS |
| 51 | FWF038100007SS | WASHER, FLAT 3/8 USS SST |



HOPPER ASSEMBLY

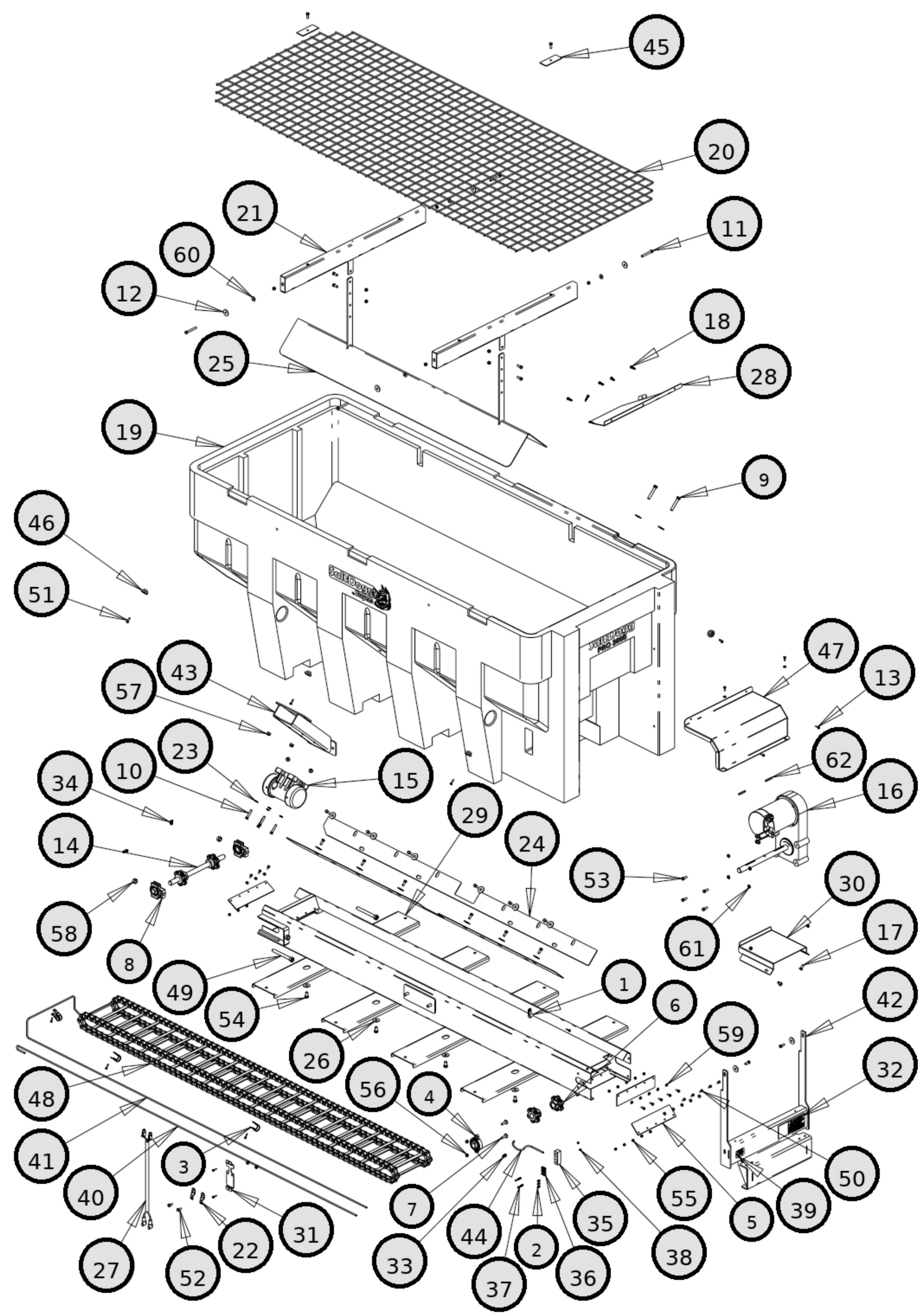
PRO3000



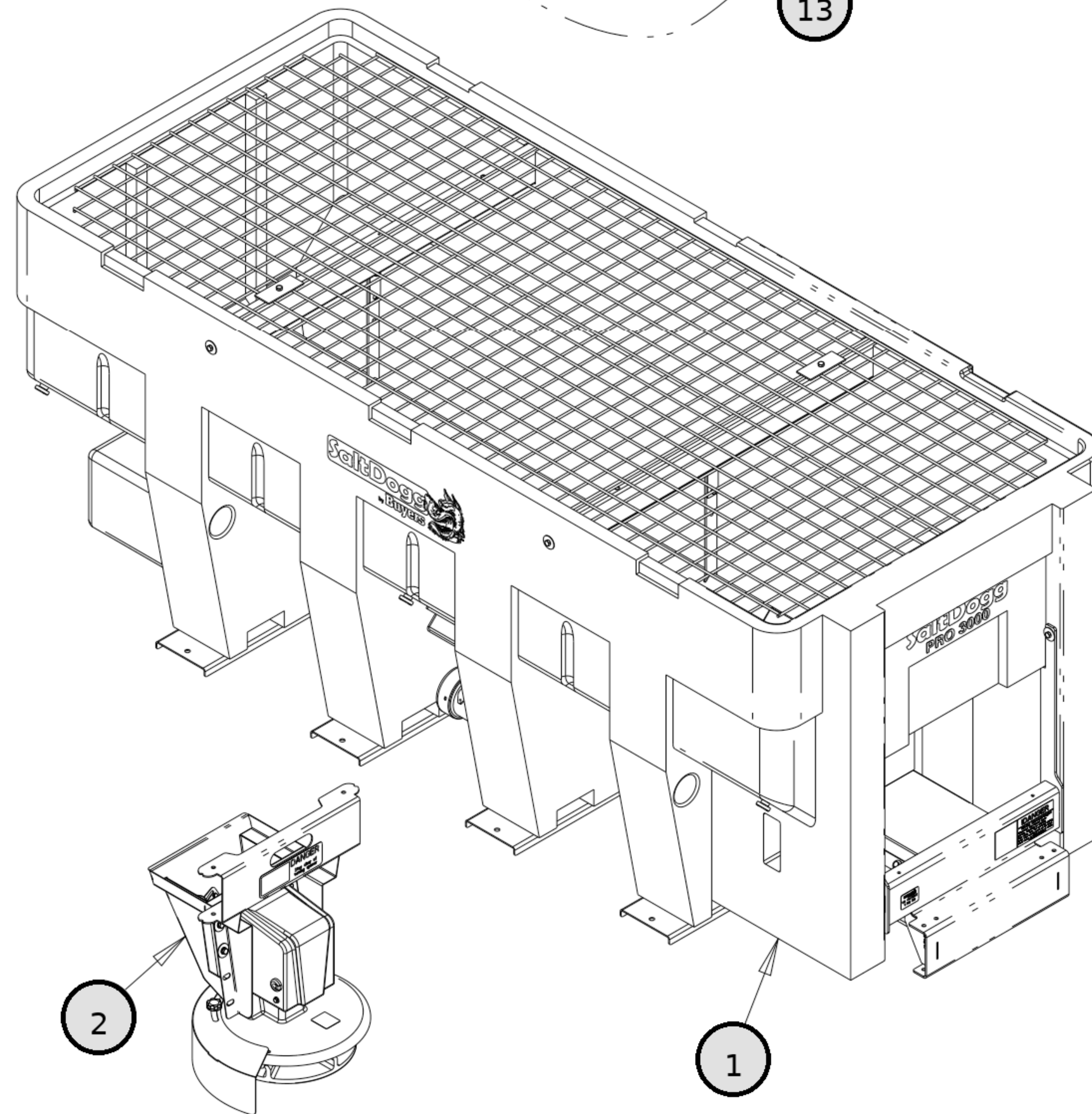
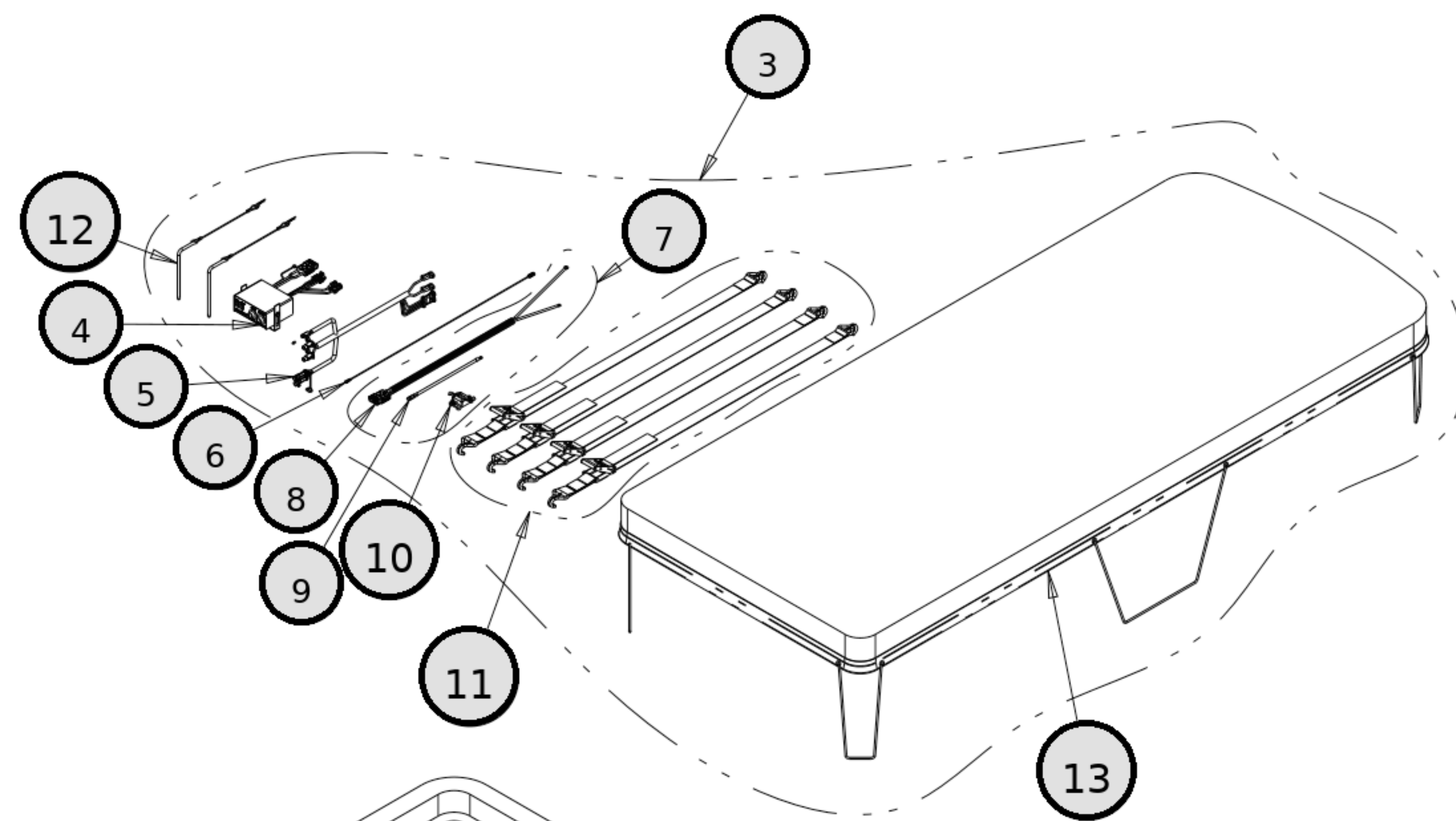
| REF | PN | DESCRIPTION |
|-----|-----------|---|
| 1 | 750 | CLAMP, HOSE .750, 13/32 HOLE |
| 2 | 800 | GREASE FITTING, 1/4 STD |
| 3 | 5000 | HOSE CLAMP, .375 DIA |
| 4 | 1410200 | BEARING, FLANGED 1-1/8" |
| 5 | 1410241 | WIPER BELT, HOPPER |
| 6 | 1410250 | SPROCKET, 6 TOOTH PINTLE CHAIN |
| 7 | 1410305 | BOLT, 3/8 X 1 1/4, LOW HEAD |
| 8 | 1411001 | BEARING, IDLER TAKE UP |
| 9 | 3001250 | SCREW, HHC-1/2-13 X 3 SST |
| 10 | 3007066 | SCREW, HHC-3/8-16 X 2 SST |
| 11 | 3007068 | CAP SCREW, HX HD-3/8-16X3 SST |
| 12 | 3007115 | WASHER, FLAT 3/8 X 1.5 X.048 SST |
| 13 | 3007522 | SCREW, SHEET MTL #12X1.0 HEX WASHER HD SST |
| 14 | 3008571 | SHAFT IDLER, ASSEMBLY |
| 15 | 3012081 | VIBRATOR 450 LBS, 12 VDC |
| 16 | 3013821 | GEAR MOTOR CONVEYOR 12 VDC |
| 17 | 3014960 | BOLT, 3/8-16 X 1 CARRIAGE SHORT NECK SST |
| 18 | 3015925 | SCREW #14X1.25 SST |
| 19 | 3015951 | HOPPER POLY 3.0 CU YA |
| 20 | 3015999 | TOP SCREEN SHPE3000 |
| 21 | 3016701 | BRACKET WELDMENT, INVERTED VEE |
| 22 | 3017121 | BRACKET, RECEPTACLE SZ8 DEUTSCH |
| 23 | 3017356 | WASHER, EXTERNAL TOOTH LOCK 3/8 SS |
| 24 | 3017371 | SHIELD TROUGH, SHPE3000 |
| 25 | 3017393 | INVERTED VEE, SHPE300 |
| 26 | 3017858 | WASHER FLAT .5 ID 1.5 OD SST |
| 27 | 3024521 | HARNES,UTS,LID LONG |
| 28 | 3025124 | COVER DISCHARGE SHPE3000 |
| 29 | 3027301 | TROUGH WELDMENT, CHAIN |
| 30 | 3027701 | COVER, TROUGH SHPE3000 |
| 31 | 3027766 | BRACKET, CONNECTORS |
| 32 | 3032591 | DECAL, DANGER, MOVING CONVEYOR/AUGER |
| 33 | 3035344 | GREASE FITTING 1/4TUBE 1/4-28 MALE STRAIGHT |
| 34 | 3035345 | GREASE FITTING 1/4TUBE 1/4-28 MALE 90 DEGREES |
| 35 | 3035346 | RIGHT ANGLE JUNCTION BLOCK |
| 36 | 3035347 | GREASE FITTING 1/4TUBE 1/8 NPT STRAIGHT |
| 37 | 3035357 | SCREW SOCKET HD, RND 8-32X 1.50 SST |
| 38 | 3035358 | NUT, NYLOCK 8-32 SST, BLACK OXIDE |
| 39 | 3035854 | LABEL PATENT |
| 40 | 3036051 | GREASE HOSE FRONT DR SIDE |
| 41 | 3036052 | GREASE HOSE FRONT PS SIDE |
| 42 | 3045623 | CHUTE ATTACHMENT |
| 43 | 3045650 | BRACKET, VIBRATOR WELDMENT |
| 44 | 3045674 | GREASE TUBE REAR BEARING |
| 45 | 3045720 | RETAINER |
| 46 | 3047855 | ANCHOR, TARP |
| 47 | 3047891 | COVER, REAR MOTOR, PR03000CH |
| 48 | 1401100P | CHAIN ASSY D662 122 LINKS |
| 49 | 141050WSS | BOLT, WELDED TAKE UP, SCH IDLER |

HOPPER ASSEMBLY

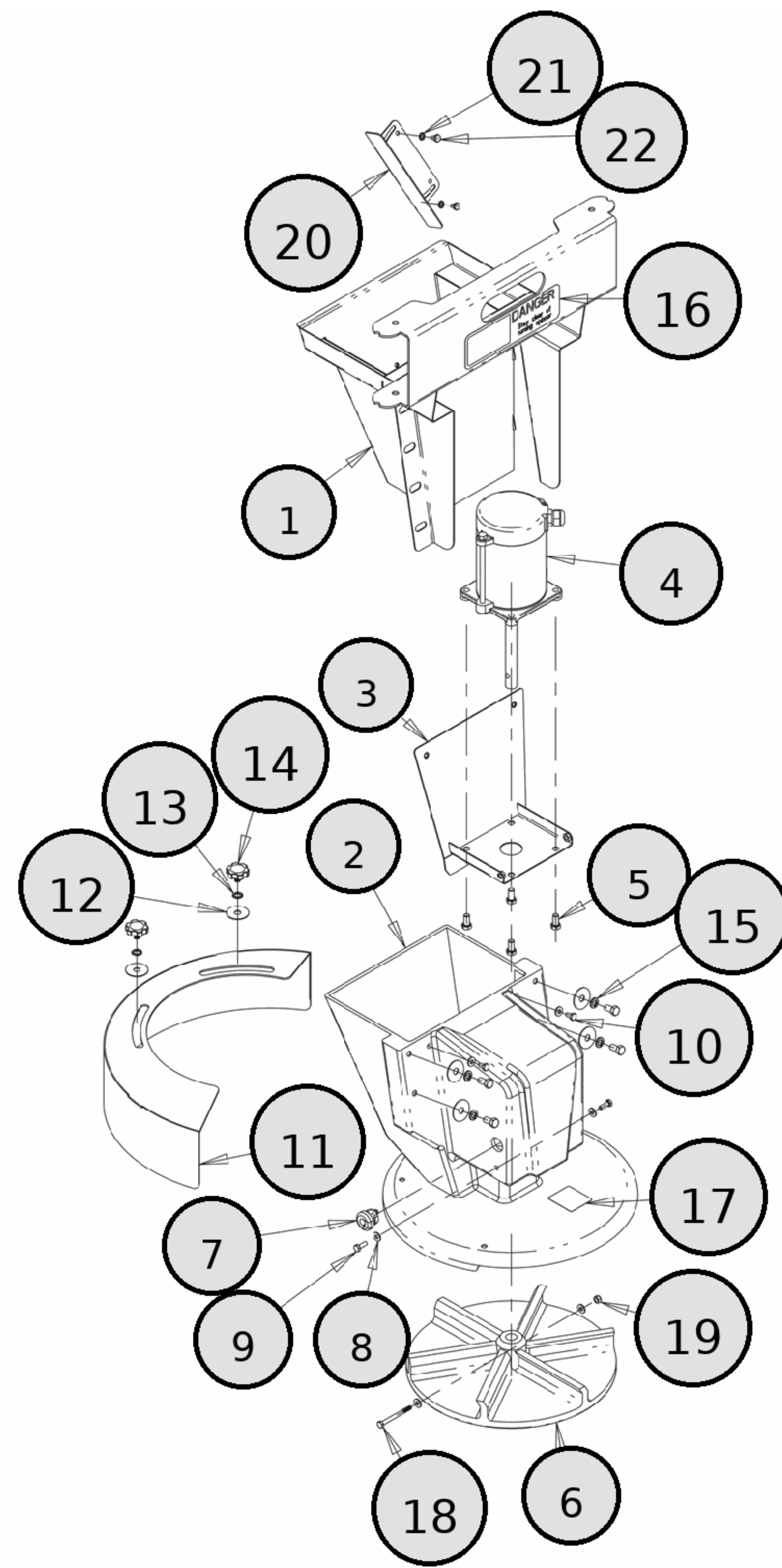
PRO3000CH



| REF | PN | DESCRIPTION |
|-----|----------------|----------------------------------|
| 50 | FCS025020075SS | SCREW, CAP 1/4-20 X 3/4 SST |
| 51 | FCS025020100SS | SCREW, CAP HEX HD 1/4-20 X 1 SST |
| 52 | FCS038016075SS | SCREW, HHC-3/8-16 X 3/4 SST |
| 53 | FCS038016100SS | SCREW, HHC 3/8-16 X 1 304 SST |
| 54 | FCS050013100SS | SCREW, HHC-1/2-13 X 1 SST |
| 55 | FNE025020031SS | NUT, NYLON INSERT 1/4-20 SST |
| 56 | FNE038016044SS | NUT, NYLOCK 3/8-16X7/16 SST |
| 57 | FNE050013053SS | NUT, NYLOCK 1/2-13 SS |
| 58 | FNH063011054SS | NUT, HH 5/8-11 X 17/32 HIGH SST |
| 59 | FWF025063007SS | WASHER, FLAT 1/4 SAE SS |
| 60 | FWF038100007SS | WASHER, FLAT 3/8 USS SST |
| 61 | FWL038069009SS | WASHER, LOCK RHS-3/8 SST |
| 62 | KS402 | KEY, 1/4 X 1/4X2 |



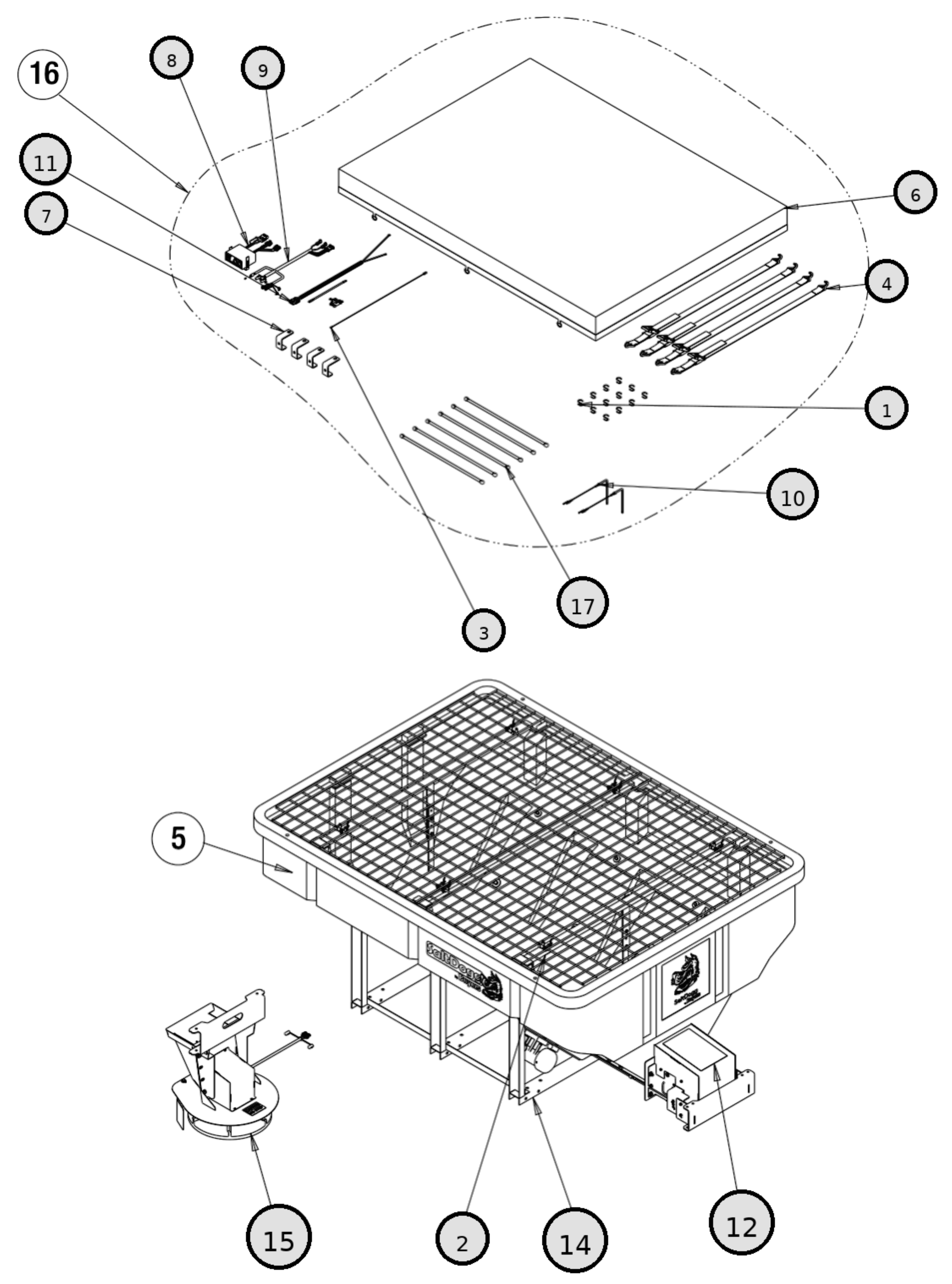
| REF | PN | DESCRIPTION |
|-----|---------|------------------------------------|
| 1 | 3045622 | HOPPER AUGER ASSEMBLY PRO3000 |
| 1 | 3045634 | HOPPER CHAIN ASSEMBLY PRO3000CH |
| 2 | 3031475 | CHUTE SWING ADJ |
| 3 | 3045998 | HARDWARE KIT PRO3000/3000CH |
| 4 | 3057918 | CONTROLLER SPEED 12 VDC, 60 AMP |
| 5 | 3030628 | WIRE HARNESS MAIN |
| 6 | 0203700 | WIRE ASSEMBLY, 36 LONG |
| 7 | 3035938 | KIT POWER CABLE REPLACES 3016943 |
| 8 | 3035935 | POWER CORD |
| 9 | 3001379 | CABLE, SCH BATTERY 14 IN. (RED) |
| 10 | CB150PB | BREAKER, 150 AMP. |
| 11 | 1496505 | HOLD DOWN KIT, SPREADER (4 STRAPS) |
| 12 | 3033174 | PIN, CHUTE ATTACHMENT |
| 13 | 3030857 | TARP PRO2500 & PRO3000 |



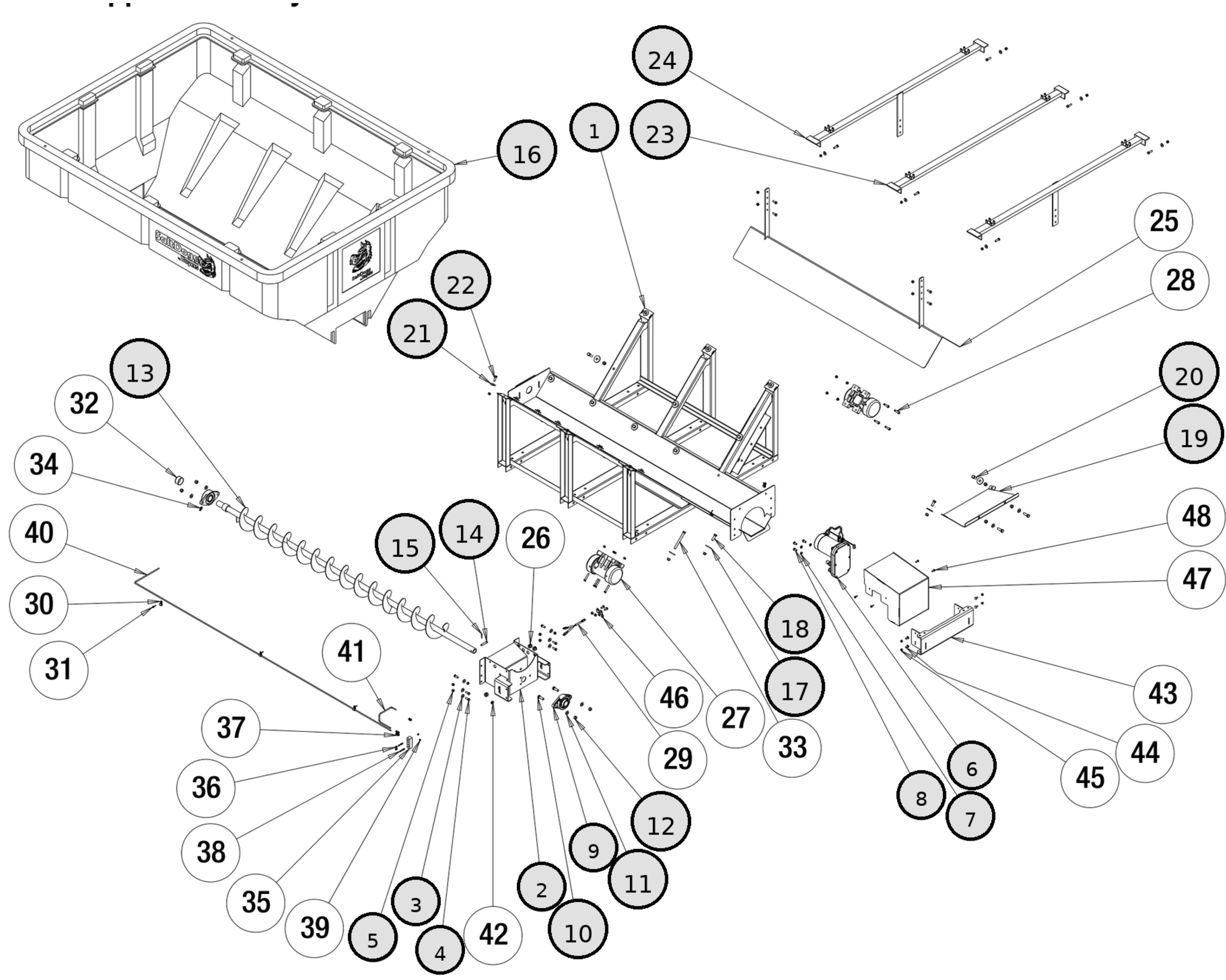
| REF | PN | DESCRIPTION |
|-----|----------------|---|
| 1 | 3056844 | UPPER CHUTE WELDMENT |
| 2 | 3030930 | CHUTE OUTER ADJUSTABLE |
| 3 | 3030908 | MOTOR MOUNT CHUTE |
| 4 | 3030907 | REPLACEMENT .5 HP 12 VDC SPINNER MOTOR FOR SALTDOGG® PRO SERIES SPREADERS |
| 4 | 3054945 | PIGTAIL, PRO SPINNER MOTOR (2 CONNECTORS) |
| 5 | FCS038016075SS | SCREW,HEX HD CAP 3/8-16X3/4SST |
| 6 | 3012393 | REPLACEMENT 14 INCH CW POLY SPINNER FOR SALTDOGG® SPREADER |
| 7 | 3025065 | BUSHING CABLE STRAIN RELIVER |
| 8 | FWF025063007SS | WASHER,FLAT,1/4IN SAE,SST |
| 9 | FCS025020075SS | SCREW,CAP-1/4-20 X 3/4IN,SST |
| 10 | 3008549 | SCREW,HEX HD CAP,1/4-20 X .500IN, SST |
| 11 | 3040557 | REPLACEMENT CHUTE SHIELD FOR SALTDOGG® PRO SERIES SPREADERS |
| 12 | 3007115 | WASHER,FENDER,3/8IN, 1.5IN OD X .062 SST |
| 13 | 3017356 | WASHER LOCK, 3/8 EXTERNAL TOOTH SST |
| 14 | 3031755 | 3/8-16X1/2 PLASTIC HEAD THUMB SCREW |
| 15 | FWL038069009SS | WASHER,SPLIT LOCK, 3/8IN, SST |
| 16 | 3007844 | DECAL,DANGER STAY CLEAR FOR POLY CHUTES |
| 17 | 3002631 | LABEL, NO STEP |
| 18 | 3016761 | 1/4-20 X 2.75 BOLT, SST |
| 19 | FNE025020031SS | NUT,HEX-NYLOCK INSERT 1/4-20 |
| 20 | 3042702 | GUIDE, MATERIAL |
| 21 | 3023463 | LOCK WASHER, 1/4 EXT SST |
| 22 | FCS025020038SS | SCREW,HEXHD CAP 1/4-20X3/8 SST |

CHUTE ASSEMBLY

PRO3000CH / PRO3000



| REF | PN | DESCRIPTION |
|------|---------|-------------------------------------|
| 1 | 9225 | S-HOOK, 2.5" ZN, TARP STRAP |
| 2 | 66050 | SNAPPER PIN, 1/4 X 2, YLW ZINC |
| 3 | 0203700 | WIRE ASSEMBLY, 36 LONG |
| 4 | 1496505 | HOLD DOWN KIT, SPREADER (4 STRAPS) |
| 5 | 3012458 | WIRE MESH, TOP SCREEN |
| 6 | 3012959 | TARP, PRO4000 |
| 7 | 3013589 | HOOK, TIE-DOWN PRO4000 |
| 8-11 | 3058402 | CONTROLLER/HARNESS KIT (BUCKET) PRO |
| 8 | 3057918 | CONTROLLER SPEED 12 VDC, 60 AMP |
| 9 | 3030628 | WIRE HARNESS MAIN |
| 10 | 3033174 | PIN, CHUTE ATTACHMENT |
| 11 | 3035938 | KIT POWER CABLE REPLACES 3016943 |
| 12 | 3048137 | LABEL DANGER, REAR |
| 14 | 3052794 | HOPPER ASSEMBLY PRO4000 |
| 14 | 3052786 | HOPPER ASSEMBLY, PRO4000CH |
| 15 | 3053387 | CHUTE SWING, ADJUSTABLE, 12VDC |
| 17 | TS31 | STRAP, RUBBER TARP 31" |



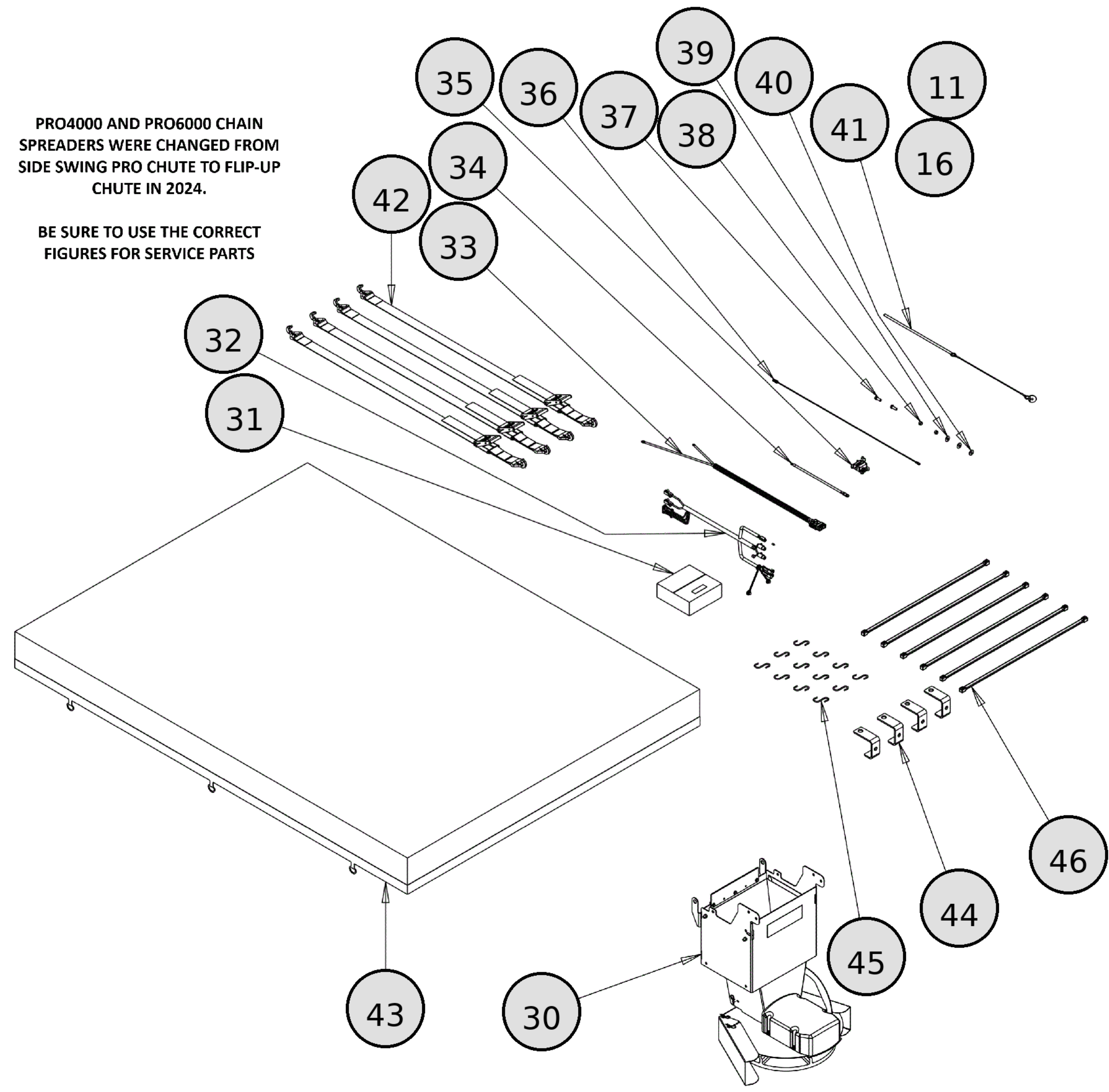
| REF | PN | DESCRIPTION |
|-----|----------------|---|
| 1 | 3059887 | TROUGH WELDMENT, PRO4000, LS COMPATIBLE |
| 2 | 3053262 | BRACKET, WELDMENT GEAR MOTOR |
| 3 | FWF038100007SS | WASHER, FLAT 3/8 USS SST |
| 4 | FCS038016100SS | SCREW, HHC 3/8-16 X 1 304 SST |
| 5 | FNE038016044SS | NUT, NYLOCK 3/8-16 X 7/16 SST |
| 6 | 3038812 | GEAR MOTOR, AUGER SHPE4000 |
| 7 | FWL038069009SS | WASHER, LOCK RHS-3/8 SST |
| 8 | FCS038016075SS | SCREW, HHC-3/8-16 X 3/4 SST |
| 9 | 2F24SCR | BEARING FLANGE 2 HOLES .75 ID SET SCREW |
| 10 | FCS050013150SS | SCREW, HHC-1/2-13 X 1.50 SST |
| 11 | 3003873 | WASHER, FLAT 1/2" SAE TYPE A SST |
| 12 | FNE050013053SS | NUT, NYLOCK 1/2-13 SS |
| 13 | 3012001 | AUGER SHPE4000 |
| 14 | 1410803 | PIN, CLEVIS, 3/8 X 2, 1038 ST, YZN |
| 15 | FPC013000100 | COTTER PIN, 1/8 X 1, ZINC |
| 16 | 3011999 | HOPPER POLY 4 CU YA |
| 17 | 3013516 | WASHER, FLAT 1/2 ID 2.0 OD .135 THK SST |
| 18 | 3006723 | SCREW, HEX HD 1/2-13X1.5 GR5 SS |
| 19 | 3012607 | COVER DISCHARGE |
| 20 | FCS050013125SS | SCREW, HHC-1/2-13 X 1-1/4 SST |
| 21 | 3014189 | WASHER, FLAT 3/8 X 1.5 X.120 SST |
| 22 | FCS038016125SS | SCREW, HHC-3/8-16 X 1.25 SST |
| 23 | 3013279 | SCREEN SUPPORT, SHPE4000 |
| 24 | 3039490 | SCREEN SUPPORT, SHPE4000 |

HOPPER ASSEMBLY

PRO4000

PRO4000 AND PRO6000 CHAIN SPREADERS WERE CHANGED FROM SIDE SWING PRO CHUTE TO FLIP-UP CHUTE IN 2024.

BE SURE TO USE THE CORRECT FIGURES FOR SERVICE PARTS



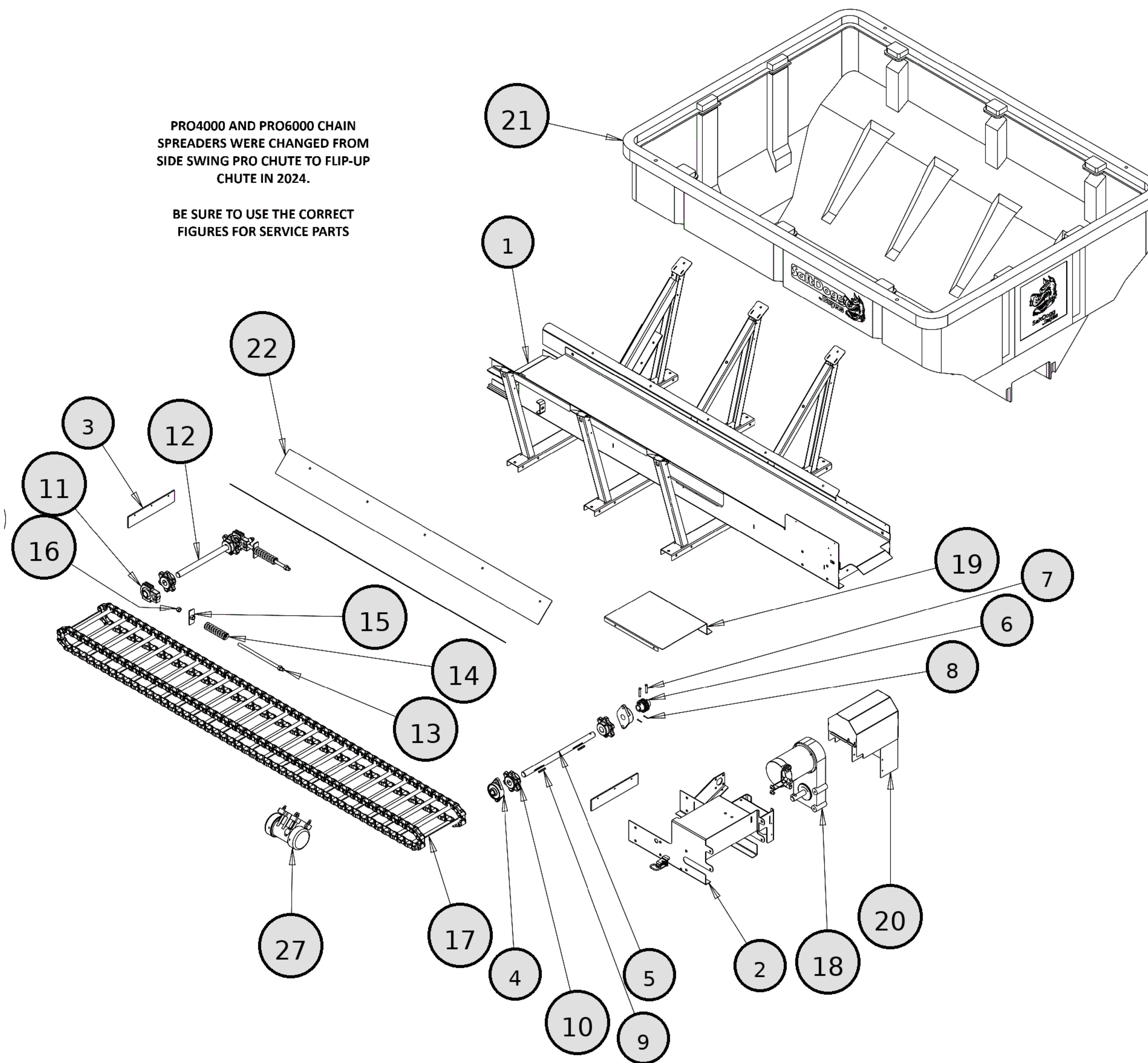
| REF | PN | DESCRIPTION |
|-----|----------------|--------------------------------------|
| 11 | 3008290 | BEARING, HEAVY DUTY TAKE-UP |
| 16 | FNH063011054SS | NUT, TOP LOCK, 5/8-11, SST WAX |
| 30 | 3030391 | CHUTE ADJUSTABLE ELECTRO, SST |
| 31 | 3057918 | CONTROLLER,HIGH CURRENT,SPREADER 2CH |
| 32 | 3030628 | WIRE HARNESS MAIN |
| 33 | 3035935 | POWER CORD |
| 34 | 3001379 | CABLE, SCH BATTERY 14 IN. (RED) |
| 35 | CB150PB | BREAKER, 150 AMP. |
| 36 | 0203700 | WIRE ASSEMBLY, 36 LONG |
| 37 | FCS038016100SS | SCREW, HHC 3/8-16 X 1 304 SST |
| 38 | FNE038016044SS | NUT, NYLOCK, 3/8-16, SST WAX |
| 39 | 3001361 | WASHER, 3/8 NYLON FLAT |
| 40 | FWF038100007SS | WASHER, FLAT 3/8 USS SST |
| 41 | 3030627 | LANYARD PIN ASSEMBLY |
| 42 | 3006934 | STRAP ASSY, RACHET 2 X 10 |
| 43 | 3012959 | TARP, SHPE4000 |
| 44 | 3013589 | HOOK, TIE-DOWN SHPE4000 |
| 45 | 9225 | S-HOOK, 2.5" ZN, TARP STRAP |
| 46 | TS31 | STRAP, RUBBER TARP 31" |

ACCESSORIES - FLIP UP CHUTE (CURRENT)

PRO4000CH

PRO4000 AND PRO6000 CHAIN SPREADERS WERE CHANGED FROM SIDE SWING PRO CHUTE TO FLIP-UP CHUTE IN 2024.

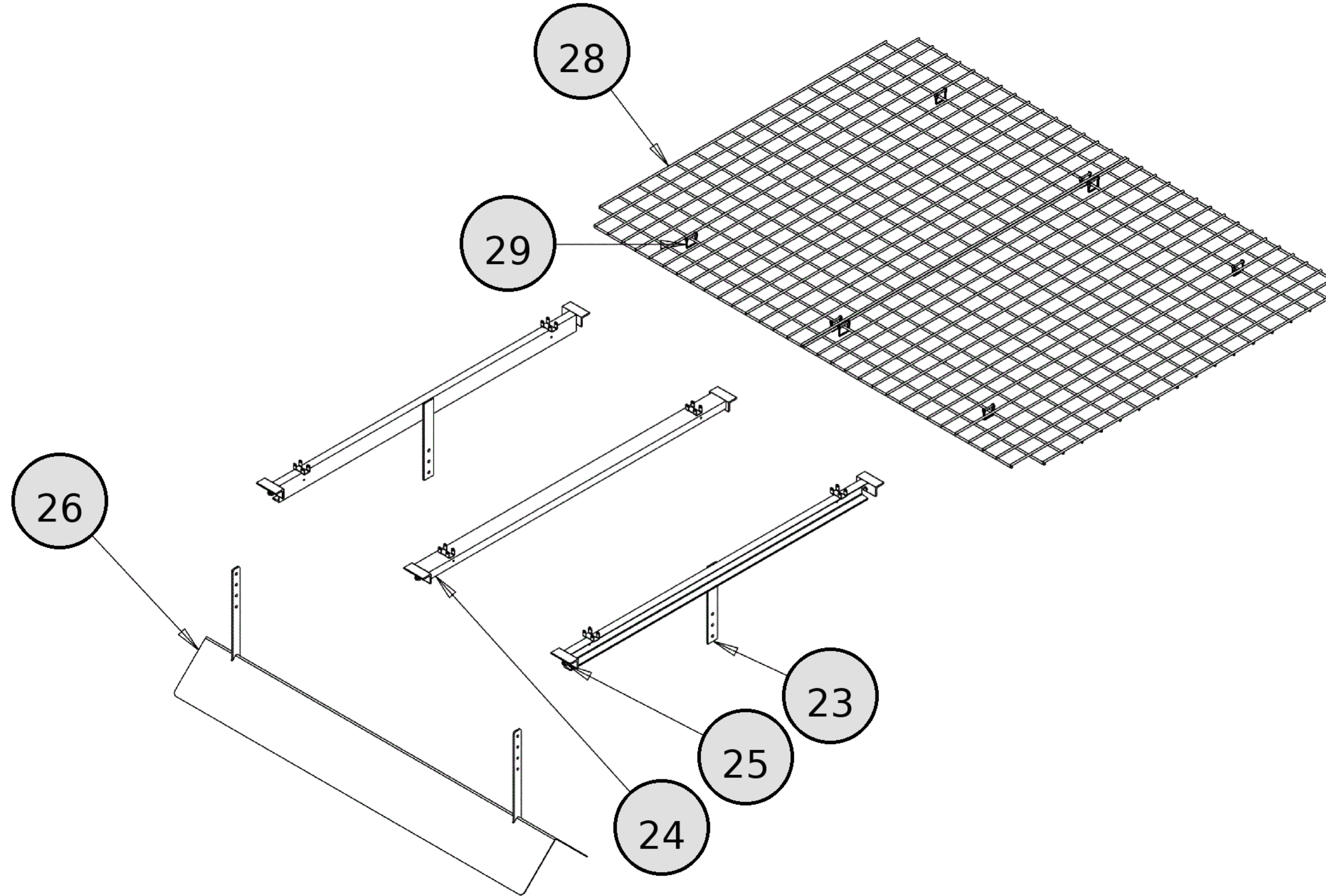
BE SURE TO USE THE CORRECT FIGURES FOR SERVICE PARTS



| REF | PN | DESCRIPTION |
|-----|----------------|------------------------------------|
| 1 | 3059896 | TROUGH WELDMENT PRO4000CH |
| 2 | 3025245 | MOTOR DECK, WELDMENT |
| 3 | 3008872 | WIPER BELT, HOPPER |
| 4 | 3008294 | BEARING, FLANGED |
| 5 | 3008316 | SHAFT, SPROCKET DRIVE END |
| 6 | 3008289 | COUPLING, DRIVE SHAFT/ GEARBOX |
| 7 | 1410803 | PIN, CLEVIS, 3/8 X 2, 1038 ST, YZN |
| 8 | FPC013000100 | COTTER PIN, 1/8 X 1, ZINC |
| 9 | KS402 | KEY, 1/4 X 1/4 X 2 |
| 10 | 3008300 | SPROCKET, D667H CHAIN |
| 11 | 3008290 | BEARING, HEAVY DUTY TAKE-UP |
| 12 | 3008317 | SHAFT, IDLER SPROCKET |
| 13 | 3023046 | BOLT, WELDED TAKE UP |
| 14 | 3023022 | SPRING CHAIN TENSION |
| 15 | 3031199 | TAKE-UP NUT WELDMENT |
| 16 | FNH063011054SS | NUT, TOP LOCK, 5/8-11, SST WAX |
| 17 | 3008860 | CHAIN, 9FT. D667H CONVEYOR |
| 18 | 3024575 | GEAR MOTOR CONVEYOR 12 VDC |
| 19 | 3039489 | COVER, CHAIN |
| 20 | 3036883 | WELDMENT, MOTOR COVER |
| 21 | 3038847 | HOPPER POLY 4 CU YA |
| 22 | 3067915 | CHAIN SHIELD PRO4000CH |
| 27 | 3012081 | VIBRATOR 450 LBS, 12 VDC |

HOPPER ASSEMBLY - FLIP-UP CHUTE (CURRENT)

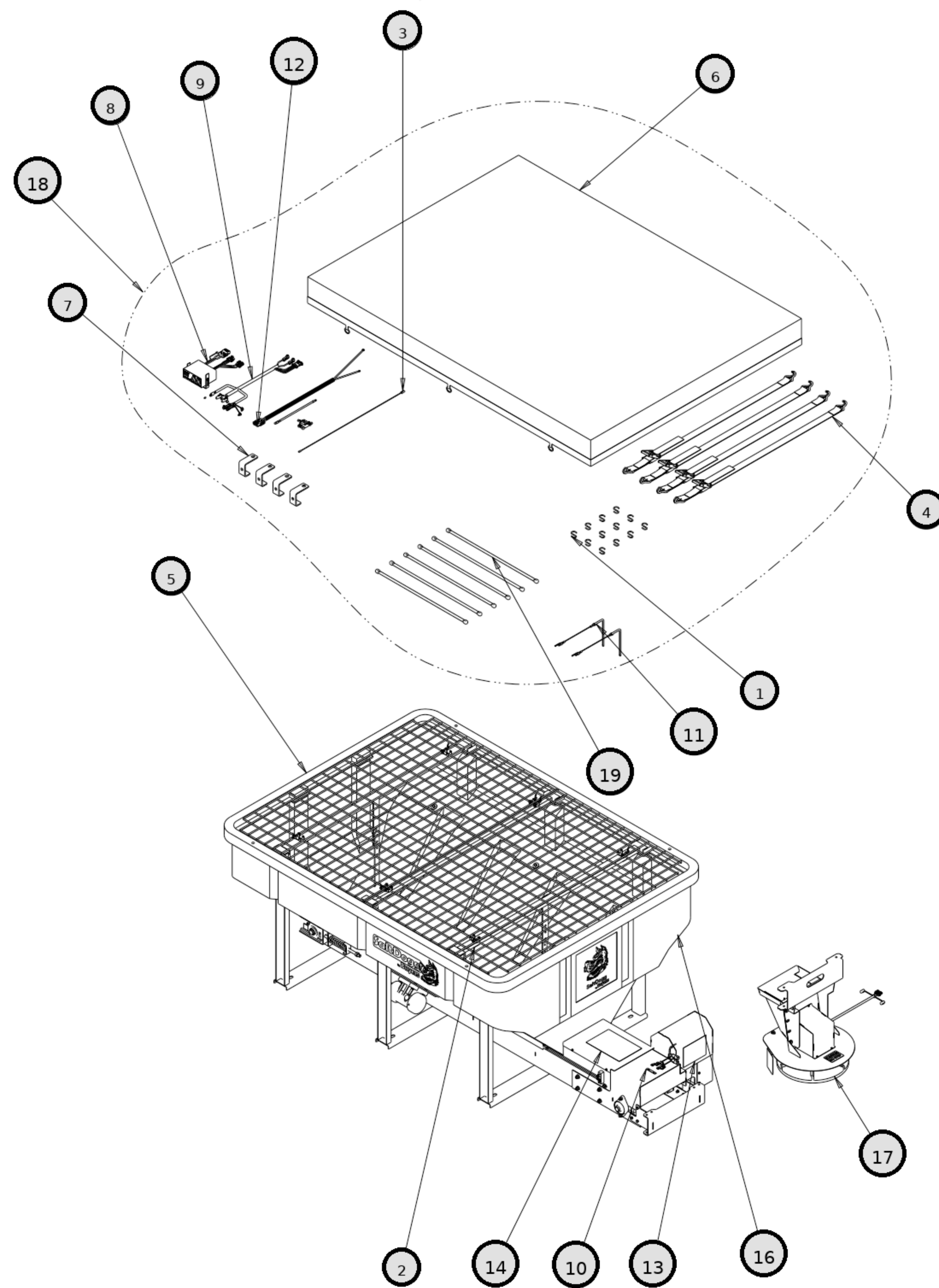
PRO4000CH



| REF | PN | DESCRIPTION |
|-----|----------------|-------------------------------------|
| 23 | 3039490 | SCREEN SUPPORT, SHPE4000 |
| 24 | 3013279 | SCREEN SUPPORT, SHPE4000 |
| 25 | FWF038100007SS | WASHER, FLAT 3/8 USS SST |
| 26 | 3039492 | INVERTED VEE, WELDMENT |
| 28 | 3012458 | SCREEN, MESH, 46.7X68.3, .31IN WIRE |
| 29 | 66050 | SNAPPER PIN, 1/4 X 1-3/4, YLW ZINC |

SCREEN AND INVERTED VEE

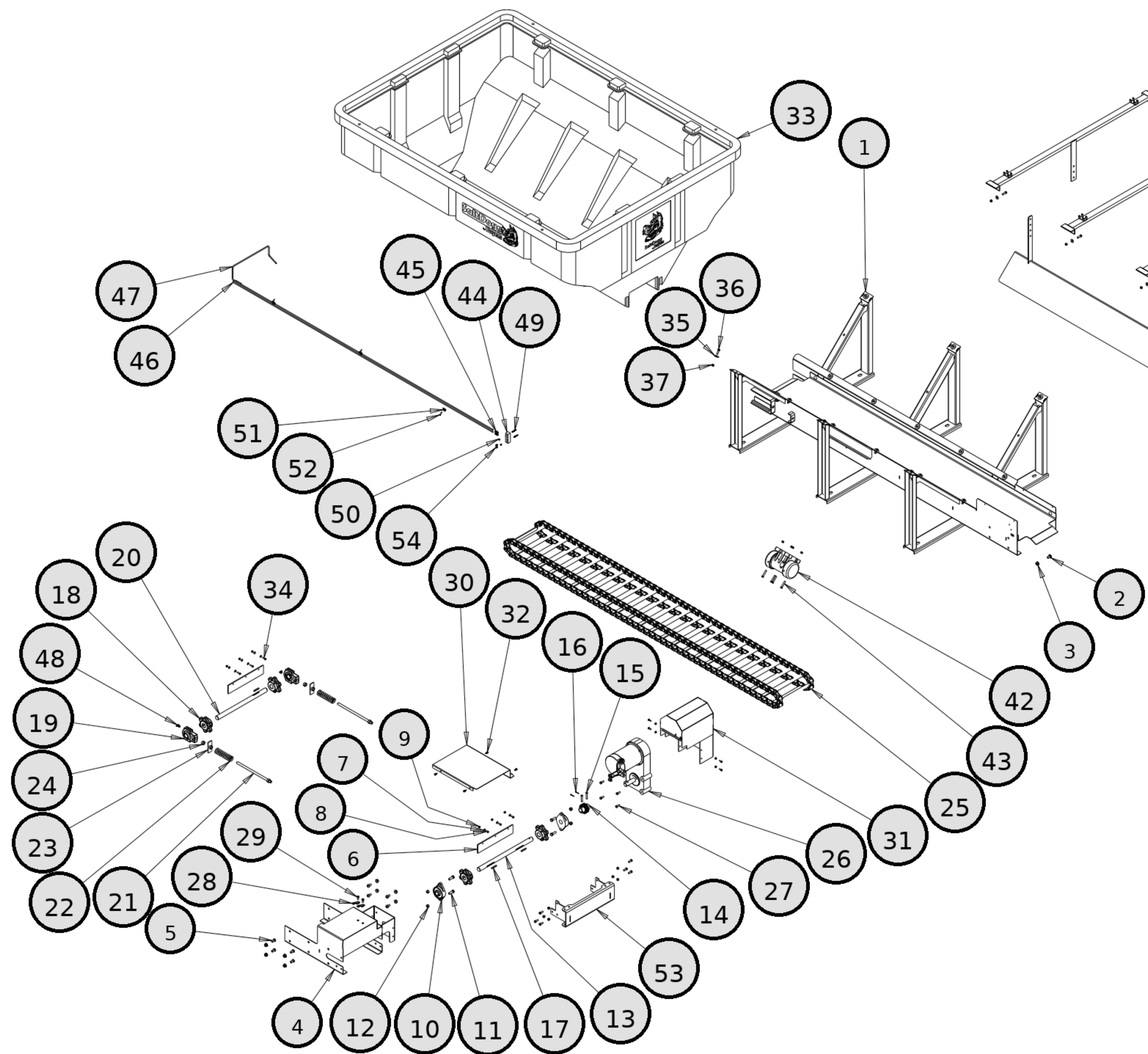
PRO4000CH



| REF | PN | DESCRIPTION |
|-----|---------|------------------------------------|
| 1 | 9225 | S-HOOK, 2.5" ZN, TARP STRAP |
| 2 | 66050 | SNAPPER PIN, 1/4 X 2, YLW ZINC |
| 3 | 0203700 | WIRE ASSEMBLY, 36 LONG |
| 4 | 1496505 | HOLD DOWN KIT, SPREADER (4 STRAPS) |
| 5 | 3012458 | WIRE MESH, TOP SCREEN |
| 6 | 3012959 | TARP, SHPE4000 |
| 7 | 3013589 | HOOK, TIE-DOWN SHPE4000 |
| 8 | 3057918 | CONTROLLER SPEED 12 VDC, 60 AMP |
| 9 | 3030628 | WIRE HARNESS MAIN |
| 10 | 3033172 | DECAL CONNECTION |
| 11 | 3033174 | PIN, CHUTE ATTACHMENT |
| 12 | 3035938 | KIT POWER CABLE REPLACES 3016943 |
| 13 | 3047964 | LABEL DANGER, SIDE |
| 14 | 3048137 | LABEL DANGER, REAR |
| 16 | 3052786 | HOPPER ASM 4.0 CU YD 12VDC, CHAIN |
| 17 | 3053387 | CHUTE SWING, ADJUSTABLE, 12VDC |
| 18 | 3053537 | HARDWARE KIT PRO4000 |
| 19 | TS31 | STRAP, RUBBER TARP 31" |

ACCESSORIES - SIDE SWING CHUTE

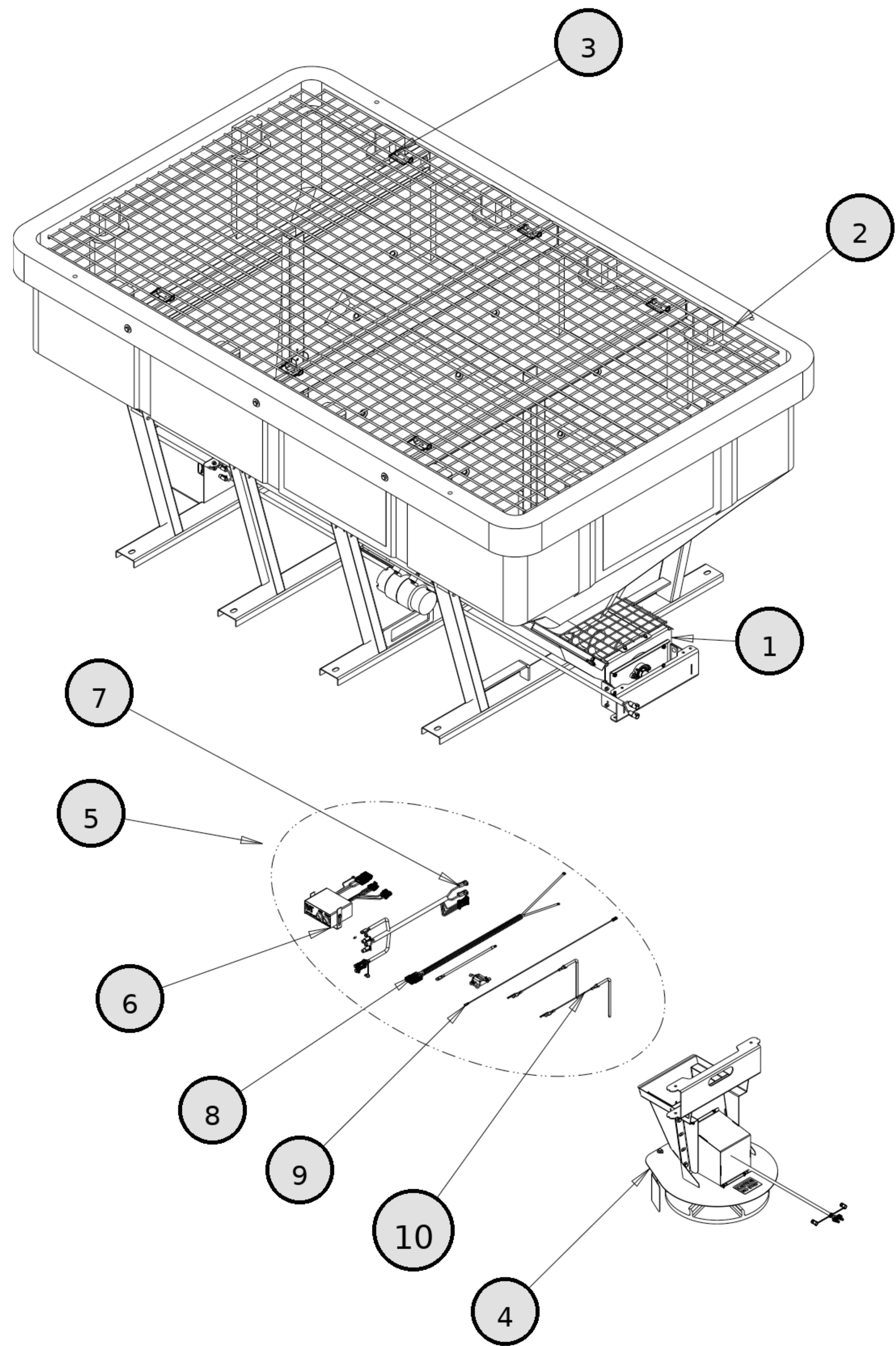
PRO4000CH



| REF | PN | DESCRIPTION |
|-----|----------------|---|
| 1 | 3038843 | TROUGH WELDMENT SHPE4000CH |
| 2 | 3001522 | BOLT, CARRIAGE 1/2-13 X 1 SST |
| 3 | 3001523 | NUT, HX FLNG-1/2-13 SST |
| 4 | 3052649 | MOTOR DECK, WELDMENT |
| 5 | 3004278 | SCREW, BTN HD SOC CAP 1/2-13X 1 SST |
| 6 | 3008872 | WIPER BELT, HOPPER |
| 7 | FWF025063007SS | WASHER, FLAT 1/4 SAE SS |
| 8 | FCS025020075SS | SCREW, CAP 1/4-20 X 3/4 SST |
| 9 | FNE025020031SS | NUT, NYLOCK, 1/4-20, GR A, SST |
| 10 | 3008294 | BEARING, FLANGED |
| 11 | 3006723 | SCREW, HEX HD 1/2-13X1.5 GR5 SS |
| 12 | FNE050013053SS | NUT, NYLOCK 1/2-13 SS |
| 13 | 3008316 | SHAFT, SPROCKET DRIVE END |
| 14 | 3008289 | COUPLING, DRIVE SHAFT/ GEARBOX |
| 15 | 1410803 | PIN, CLEVIS, 3/8 X 2, 1038 ST, YZN |
| 16 | FPC013000100 | COTTER PIN, 1/8 X 1, ZINC |
| 17 | KS402 | KEY, 1/4 X 1/4 X 2 |
| 18 | 3008300 | SPROCKET, D667H CHAIN |
| 19 | 3008290 | BEARING, HEAVY DUTY TAKE-UP |
| 20 | 3008317 | SHAFT, IDLER SPROCKET |
| 21 | 3023046 | BOLT, WELDED TAKE UP |
| 22 | 3023022 | SPRING CHAIN TENSION |
| 23 | 3031199 | TAKE-UP NUT WELDMENT |
| 24 | FNH063011054SS | NUT, HH 5/8-11 X 17/32 HIGH SST |
| 25 | 3008860 | CHAIN, 9FT. D667H CONVEYOR |
| 26 | 3024575 | GEAR MOTOR CONVEYOR 12 VDC |
| 27 | FCS038016100SS | SCREW, HHC 3/8-16 X 1 304 SST |
| 28 | 3017121 | BRACKET, RECEPTACLE SZ8 DEUTSCH |
| 29 | FCS038016075SS | SCREW, HHC-3/8-16 X 3/4 SST |
| 30 | 3039489 | COVER, CHAIN |
| 31 | 3036883 | WELDMENT, MOTOR COVER |
| 32 | 3015873 | SCREW #12-14X.74 SS SELF DRIL HEX WASHER HD |
| 33 | 3038847 | HOPPER POLY 4 CU YA |
| 34 | FCS025020100SS | SCREW, CAP HEX HD 1/4-20 X 1 SST |
| 35 | 3007115 | WASHER, FLAT 3/8 X 1.5 X.048 SST |
| 36 | FCS038016125SS | SCREW, HHC-3/8-16 X 1.25 SST |
| 37 | FNE038016044SS | NUT, NYLOCK 3/8-16 X 7/16 SST |
| 42 | 3012081 | VIBRATOR 450 LBS, 12 VDC |
| 43 | 3007066 | SCREW, HHC-3/8-16 X 2 SST |
| 44 | 3035346 | RIGHT ANGLE JUNCTION BLOCK |
| 45 | 3035347 | GREASE FITTING 1/4TUBE 1/8 NPT STRAIGHT |
| 46 | 3036051 | GREASE HOSE FRONT DR SIDE |
| 47 | 3036052 | GREASE HOSE FRONT PS SIDE |
| 48 | 3035345 | GREASE FITTING 1/4TUBE 1/4-28 MALE 90 DEGREES |
| 49 | 3035357 | SCREW SOCKET HD, RND 8-32X 1.50 SST |
| 50 | 3035358 | NUT, NYLOCK 8-32 SST, BLACK OXIDE |
| 51 | 4375 | CLAMP, HOSE .4375, 9/32 HOLE |
| 52 | 3007522 | SCREW, SHEET MTL #12X1.0 HEX WASHER HD SST |
| 53 | 3052651 | CHUTE ATTACHMENT, PRO4000/6000 |
| 54 | 800 | GREASE FITTING, 1/8IN NPT, STRAIGHT |

HOPPER ASSEMBLY, SIDE SWING CHUTE

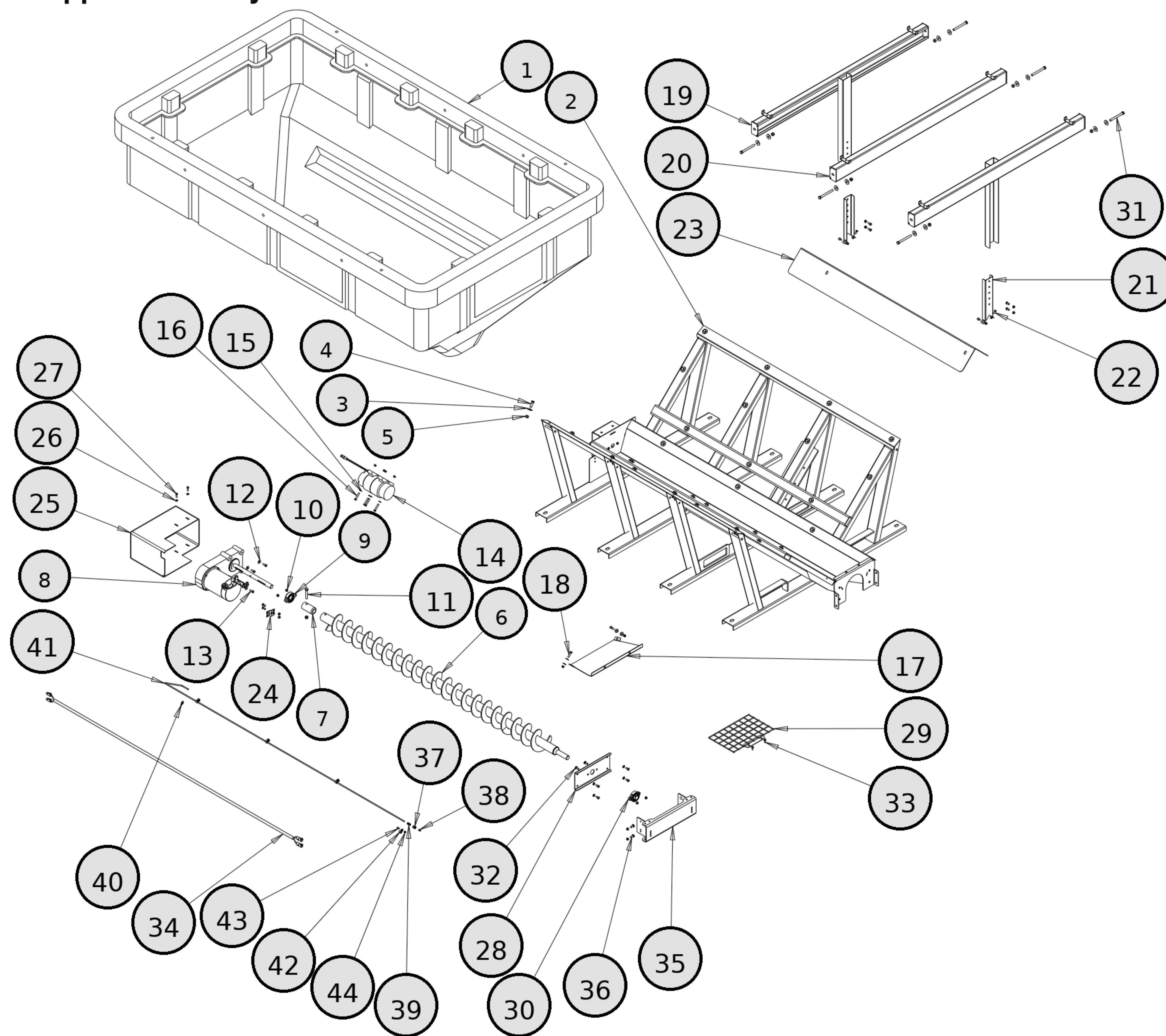
PRO4000CH



| REF | PN | DESCRIPTION |
|-----|---------|-------------------------------------|
| 1 | 3052788 | HOPPER ASSEMBLY PRO6000 |
| 2 | 3018857 | SCREEN MESH HALF |
| 3 | 66070 | SNAPPER PIN, 1/4 X 3.5, YLW ZINC |
| 4 | 3053387 | CHUTE SWING, ADJUSTABLE, 12VDC |
| 5 | 3058402 | CONTROLLER/HARNESS KIT (BUCKET) PRO |
| 6 | 3057918 | CONTROLLER SPEED 12 VDC, 60 AMP |
| 7 | 3030628 | WIRE HARNESS MAIN |
| 8 | 3035938 | KIT POWER CABLE REPLACES 3016943 |
| 9 | 0203700 | WIRE ASSEMBLY, 36 LONG |
| 10 | 3033174 | PIN, CHUTE ATTACHMENT |
| 11 | 3052071 | BAG 40X24, WOVEN PP, WHITE |

MAIN ASSEMBLY

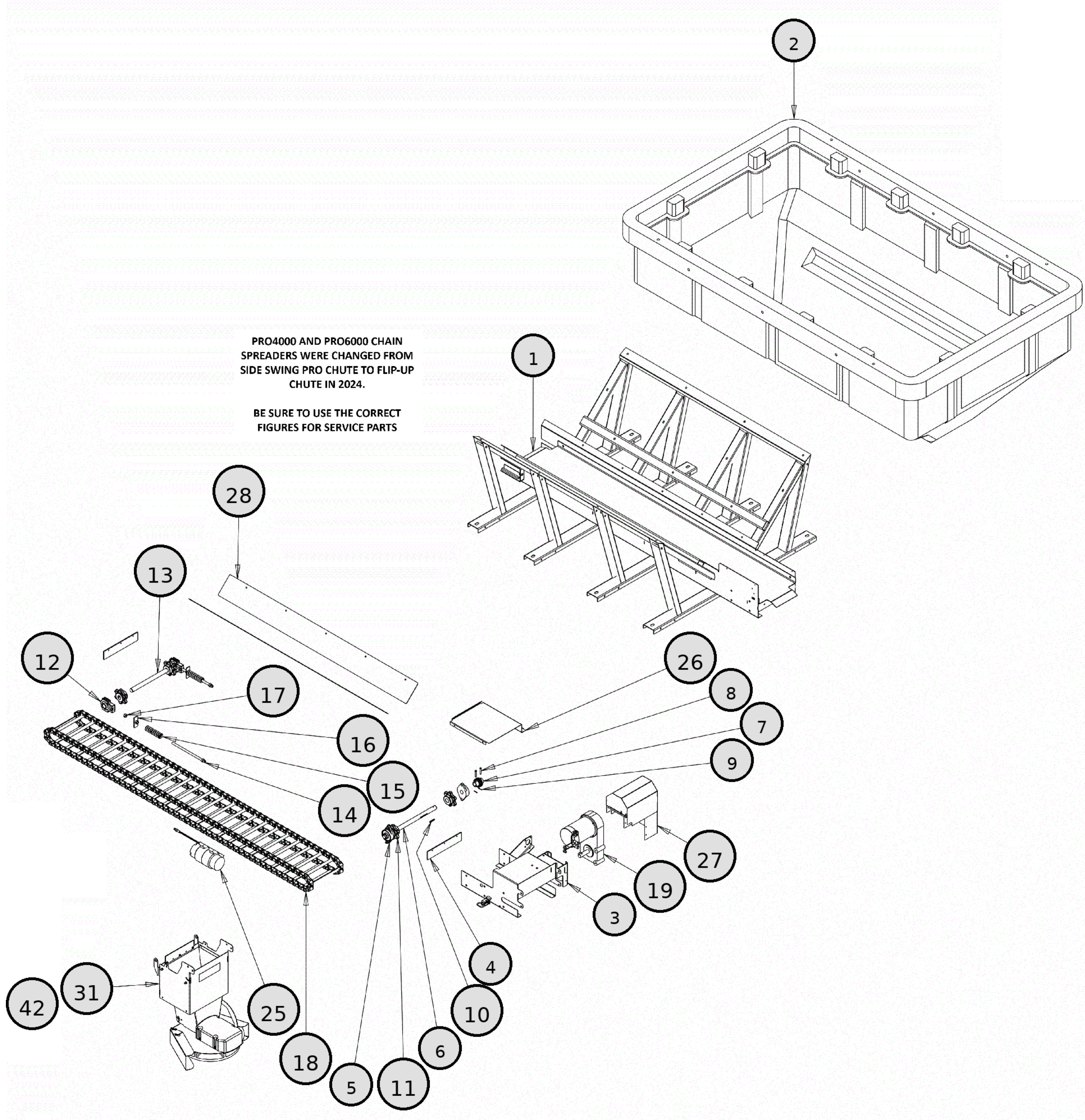
PRO6000



| REF | PN | DESCRIPTION |
|-----|----------------|---|
| 1 | 3018430 | HOPPER POLY 6 CU YA |
| 2 | 3052789 | TROUGH WELDMENT PRO6000 |
| 3 | 3017858 | WASHER FLAT .5 ID 1.5 OD SST |
| 4 | FCS050013150SS | SCREW, HHC-1/2-13 X 1.50 SST |
| 5 | FNE050013053SS | NUT, NYLOCK 1/2-13 SS |
| 6 | 3018639 | AUGER SHPE 6.0 X 4.0 RH |
| 7 | 3014858 | SLEEVE, AUGER ADAPTER |
| 8 | 3013821 | GEAR MOTOR CONVEYOR 12 VDC |
| 9 | 1410200 | BEARING, FLANGED 1-1/8" |
| 10 | FNE038016044SS | NUT, NYLOCK 3/8-16 X 7/16 SST |
| 11 | 3001250 | SCREW, HHC-1/2-13 X 3 SST |
| 12 | FWF038100007SS | WASHER, FLAT 3/8 USS SST |
| 13 | FCS038016100SS | SCREW, HHC 3/8-16 X 1 304 SST |
| 14 | 3019166 | VIBRATOR 900 LBS 12 VDC |
| 15 | 3017356 | WASHER, EXTERNAL TOOTH LOCK 3/8 SS |
| 16 | 3007066 | SCREW, HHC-3/8-16 X 2 SST |
| 17 | 3012607 | COVER DISCHARGE |
| 18 | FCS038016150SS | SCREW, HX HD CAP 3/8-16 X 1-1/2 SST |
| 19 | 3018855 | SCREEN BRACKET WELDMENT |
| 20 | 3019795 | SCREEN SUPPORT WELDMENT |
| 21 | 3019163 | HANGER, INVERTED VEE |
| 22 | FCS038016075SS | SCREW, HHC-3/8-16 X 3/4 SST |
| 23 | 3019164 | DEFLECTOR, INVERTED VEE |
| 24 | 3017121 | BRACKET, RECEPTACLE SZ8 DEUTSCH |
| 25 | 3019236 | COVER G MOTOR, AUGER |
| 26 | FWF031075006SS | WASHER, FLAT, 5/16 X .688 X .065, SST |
| 27 | 3018701 | SCREW, HHC 5/16-18 X 1.0 SST FULL THD |
| 28 | 3052793 | BRACKET BEARING REAR |
| 29 | 3019791 | AUGER COVER WELDMENT |
| 30 | 9240086 | BEARING, 1-1/4 FLANGE 2 HOLE |
| 31 | 3019616 | SCREW, HEX HEAD CAP 1/2-13 X 5.00 SST |
| 32 | FCB037516100SS | BOLT, 3/8-16 X 1 CARRIAGE SST |
| 33 | 3006721 | SCREW, HEX HD, 5/16-18 X 3/4 GR5 SS |
| 34 | 3019878 | EXTENSION WIRE HARNESS 8FT MOTOR |
| 35 | 3053487 | CHUTE ATTACHMENT, 4000/6000 |
| 36 | 3014960 | BOLT, 3/8-16 X 1 CARRIAGE SHORT NECK SST |
| 37 | H3309X2 | CONNECTOR, FEM NPT TO FEM NPT 1/8 X 1/8 |
| 38 | 800 | GREASE FITTING, 1/8IN NPT, STRAIGHT |
| 39 | 3035347 | GREASE FITTING 1/4TUBE 1/8 NPT STRAIGHT |
| 40 | 3035344 | GREASE FITTING 1/4TUBE 1/4-28 MALE STRAIGHT |
| 41 | 3053265 | TUBE GREASE, FRONT BEARING |
| 42 | 4375 | CLAMP, HOSE .4375, 9/32 HOLE |
| 43 | FCS025020075SS | SCREW, CAP 1/4-20 X 3/4 SST |
| 44 | FNE025020031SS | NUT, NYLOCK, 1/4-20, GR A, SST |

HOPPER ASSEMBLY

PRO6000



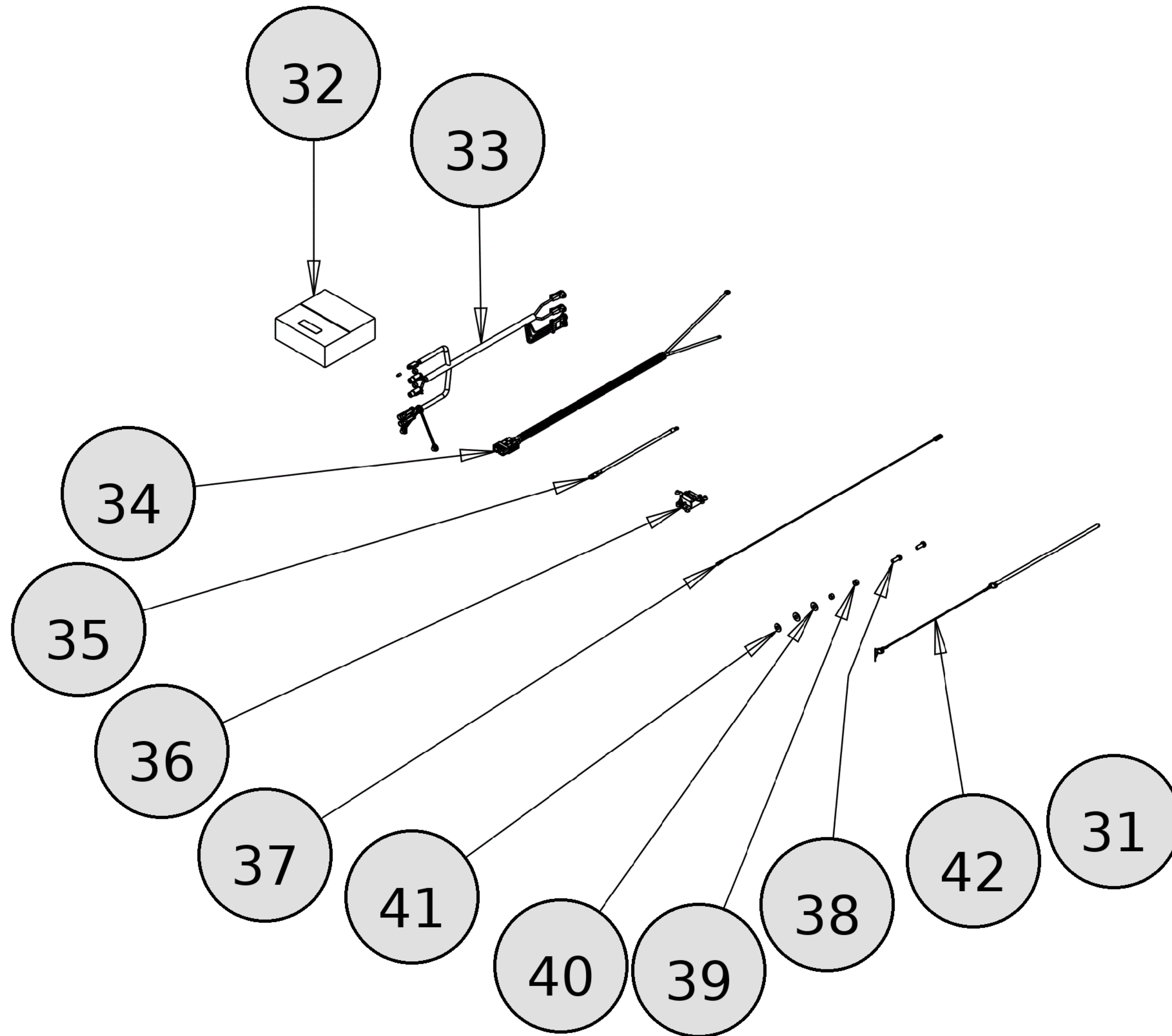
PRO4000 AND PRO6000 CHAIN SPREADERS WERE CHANGED FROM SIDE SWING PRO CHUTE TO FLIP-UP CHUTE IN 2024.

BE SURE TO USE THE CORRECT FIGURES FOR SERVICE PARTS

| REF | PN | DESCRIPTION |
|-----|----------------|------------------------------------|
| 1 | 3036849 | TROUGH WELDMENT PRO6000CH |
| 2 | 3036857 | HOPPER POLY 6 CU YA |
| 3 | 3025245 | MOTOR DECK, WELDMENT |
| 4 | 3008872 | WIPER BELT, HOPPER |
| 5 | 3008294 | BEARING, FLANGED |
| 6 | 3008316 | SHAFT, SPROCKET DRIVE END |
| 7 | 3008289 | COUPLING, DRIVE SHAFT/ GEARBOX |
| 8 | 1410803 | PIN, CLEVIS, 3/8 X 2, 1038 ST, YZN |
| 9 | FPC013000100 | COTTER PIN, 1/8 X 1, ZINC |
| 10 | KS402 | KEY, 1/4 X 1/4 X 2 |
| 11 | 3008300 | SPROCKET, D667H CHAIN |
| 12 | 3008290 | BEARING, HEAVY DUTY TAKE-UP |
| 13 | 3008317 | SHAFT, IDLER SPROCKET |
| 14 | 3023046 | BOLT, WELDED TAKE UP |
| 15 | 3023022 | SPRING CHAIN TENSION |
| 16 | 3031199 | TAKE-UP NUT WELDMENT |
| 17 | FNH063011054SS | NUT, TOP LOCK, 5/8-11, SST WAX |
| 18 | 3008860 | CHAIN, 9FT. D667H CONVEYOR |
| 19 | 3024575 | GEAR MOTOR CONVEYOR 12 VDC |
| 25 | 3019166 | VIBRATOR 900 LBS 12 VDC |
| 26 | 3036880 | COVER, CHAIN |
| 27 | 3036883 | WELDMENT, MOTOR COVER |
| 28 | 3067851 | CHAIN SHIELD PRO6000CH |
| 31 | 3030391 | CHUTE ADJUSTABLE ELECTRO, SST |
| 42 | 3030627 | LANYARD PIN ASSEMBLY |

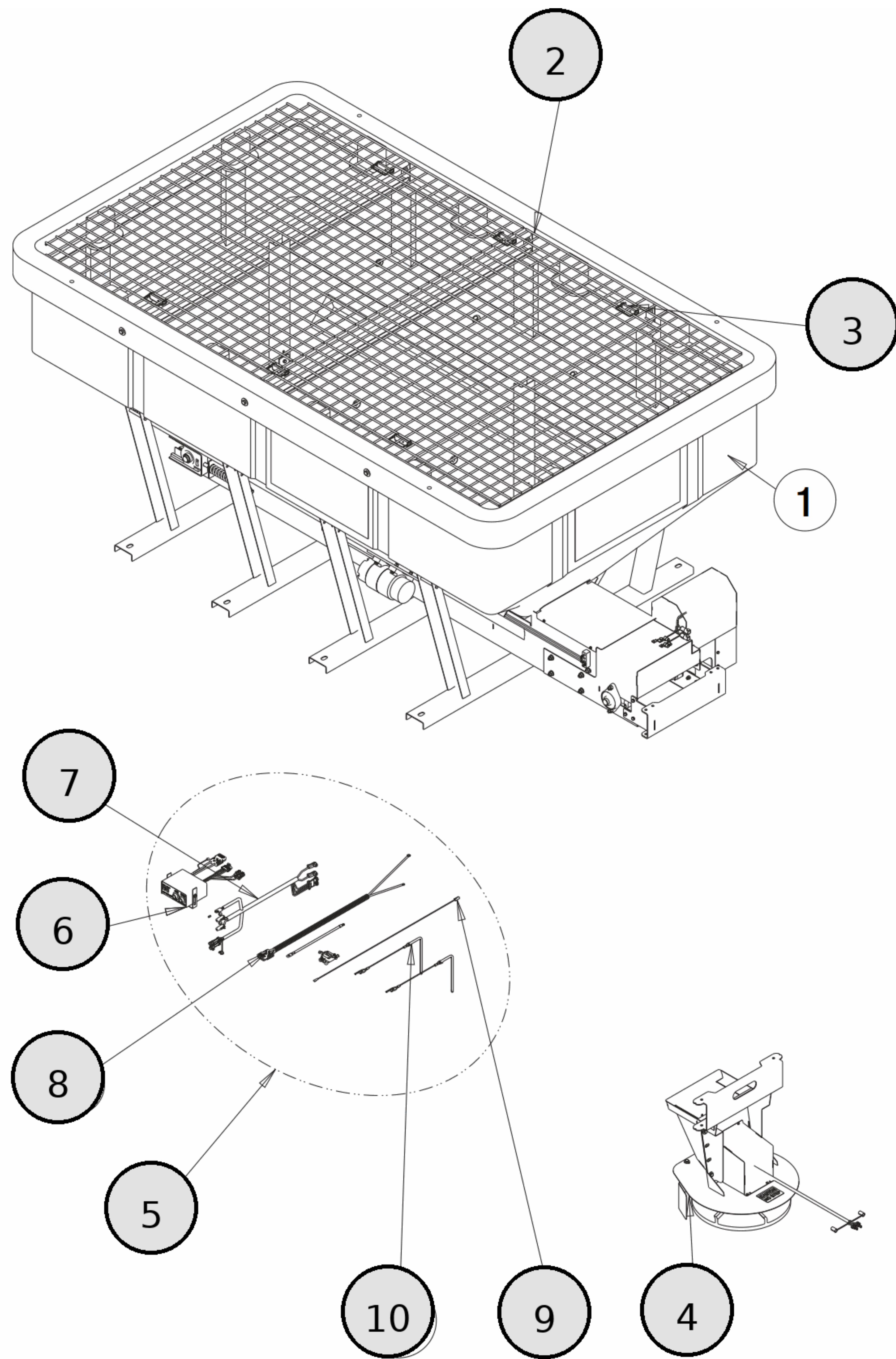
HOPPER ASSEMBLY, SWING UP CHUTE
PRO6000CH

| REF | PN | DESCRIPTION |
|-----|----------------|--------------------------------------|
| 31 | 3030391 | CHUTE ADJUSTABLE ELECTRO, SST |
| 32 | 3057918 | CONTROLLER,HIGH CURRENT,SPREADER 2CH |
| 33 | 3030628 | WIRE HARNESS MAIN |
| 34 | 3035935 | POWER CORD |
| 35 | 3001379 | CABLE, SCH BATTERY 14 IN. (RED) |
| 36 | CB150PB | BREAKER, 150 AMP. |
| 37 | 0203700 | WIRE ASSEMBLY, 36 LONG |
| 38 | FCS038016100SS | SCREW, HHC 3/8-16 X 1 304 SST |
| 39 | FNE038016044SS | NUT, NYLOCK, 3/8-16, SST WAX |
| 40 | 3001361 | WASHER, 3/8 NYLON FLAT |
| 41 | FWF038100007SS | WASHER, FLAT 3/8 USS SST |
| 42 | 3030627 | LANYARD PIN ASSEMBLY |



CONTROLLER KIT

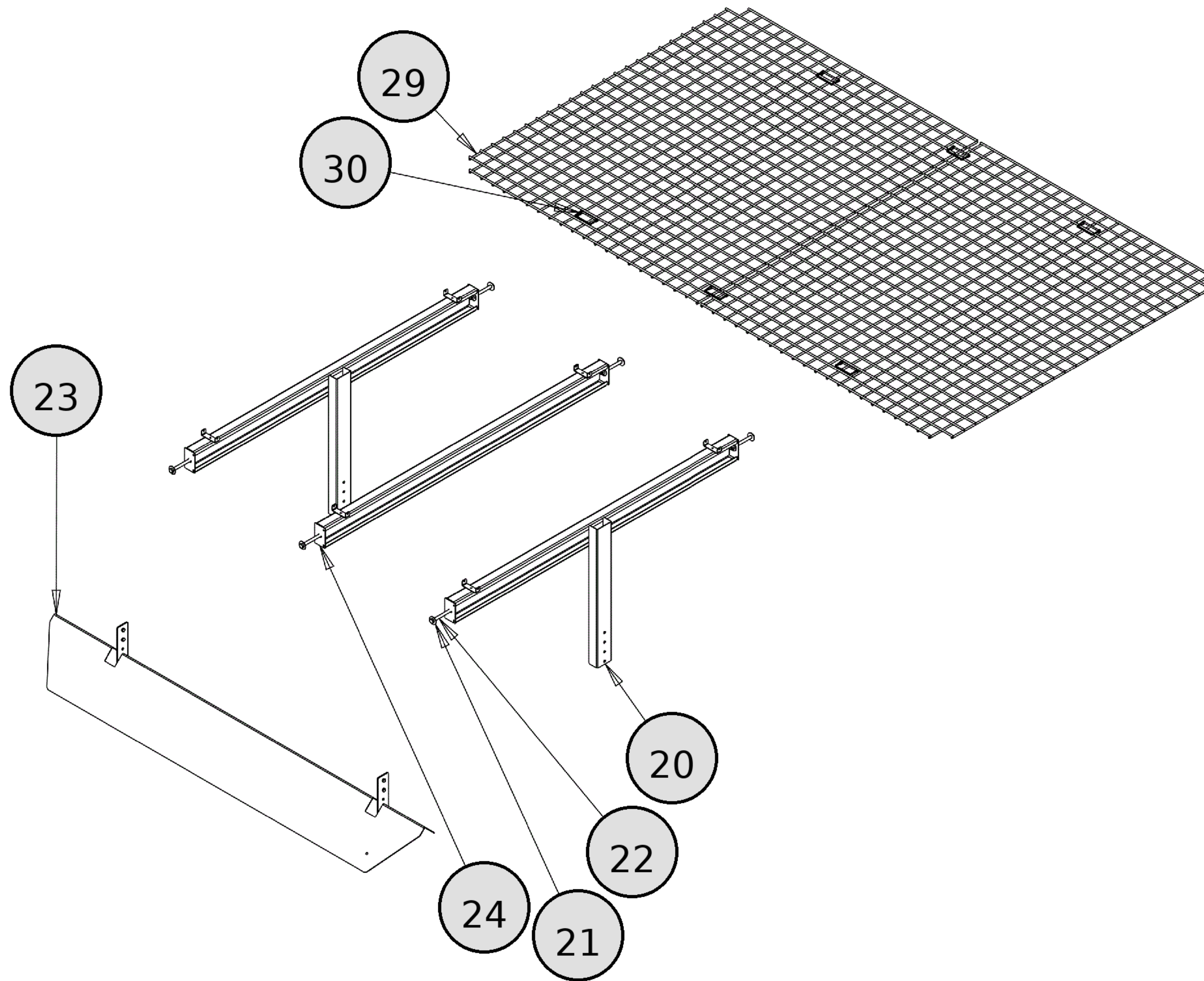
PRO6000CH



| REF | PN | DESCRIPTION |
|-----|---------|-------------------------------------|
| 2 | 3018857 | SCREEN MESH, HALF |
| 3 | 66070 | SNAPPER PIN, 1/4X3.5 |
| 4 | 3053387 | SWING CHUTE, PRO 12VDC |
| 5 | 3058402 | CONTROLLER/HARNESS KIT (BUCKET) PRO |
| 6 | 3057918 | CONTROLLER, PRO |
| 7 | 3030628 | MAIN HARNESS, PRO |
| 8 | 3035938 | POWER CABLE KIT, PRO |
| 9 | 0203700 | ENABLE WIRE |
| 10 | 3033174 | PIN, CHUTE ATTACHMENT, PRO |

MAIN ASSEMBLY, SIDE SWING CHUTE

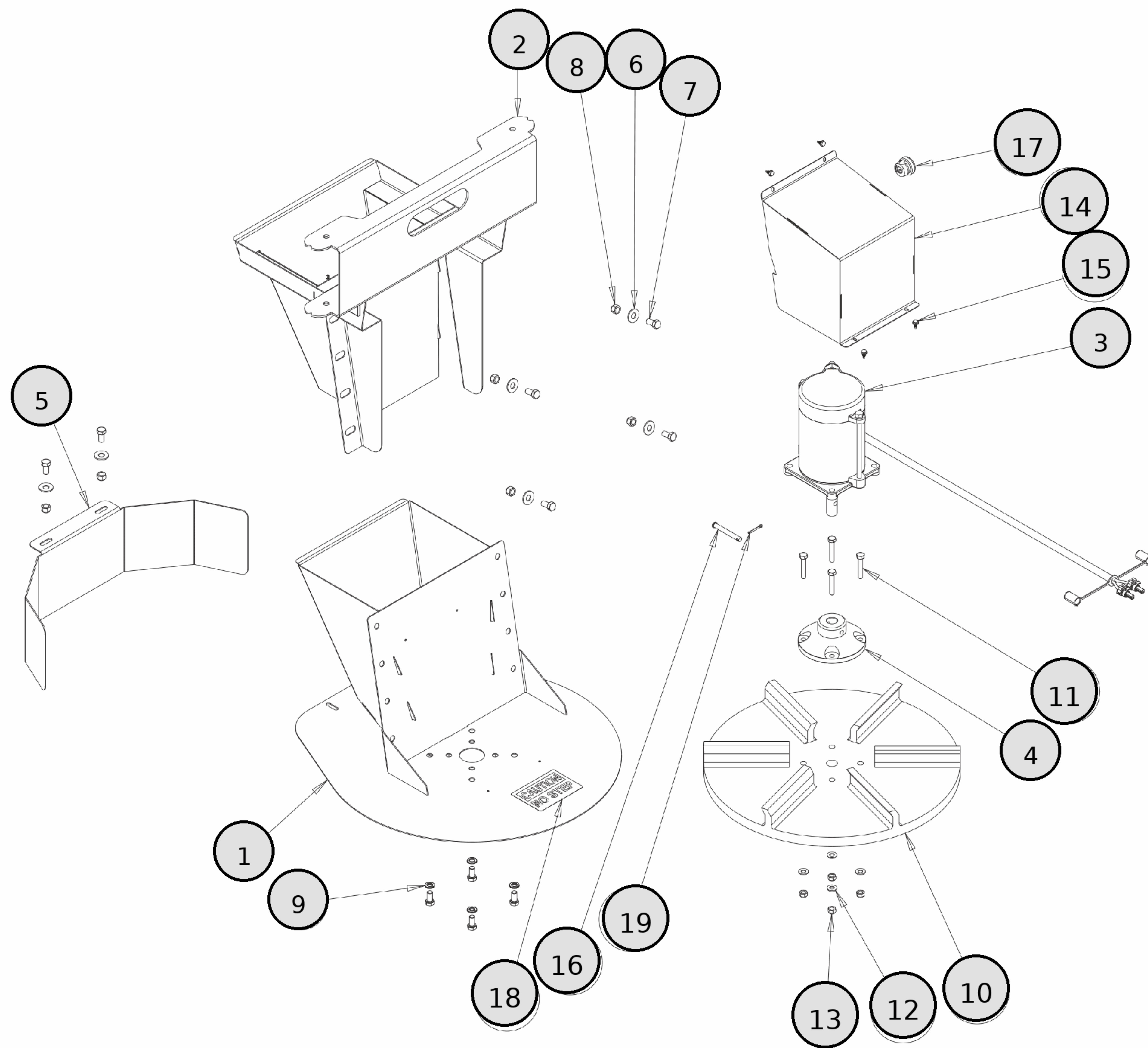
PRO6000CH



| REF | PN | DESCRIPTION |
|-----|---------|--------------------------------------|
| 20 | 3018855 | SCREEN BRACKET WELDMENT |
| 21 | 3017858 | WASHER FLAT .5 ID 1.5 OD SST |
| 22 | 3019616 | SCREW, HEX HEAD CAP 1/2-13 X 5.00 SS |
| 23 | 3036854 | INVERTED VEE, WELDMENT |
| 24 | 3019795 | SCREEN SUPPORT WELDMENT |
| 29 | 3018857 | SCREEN, MESH, 58.1X67.8, .31IN WIRE |
| 30 | 66070 | SNAPPER PIN, 1/4 X 3-1/2, YLW ZINC |

SCREEN AND INVERTED VEE

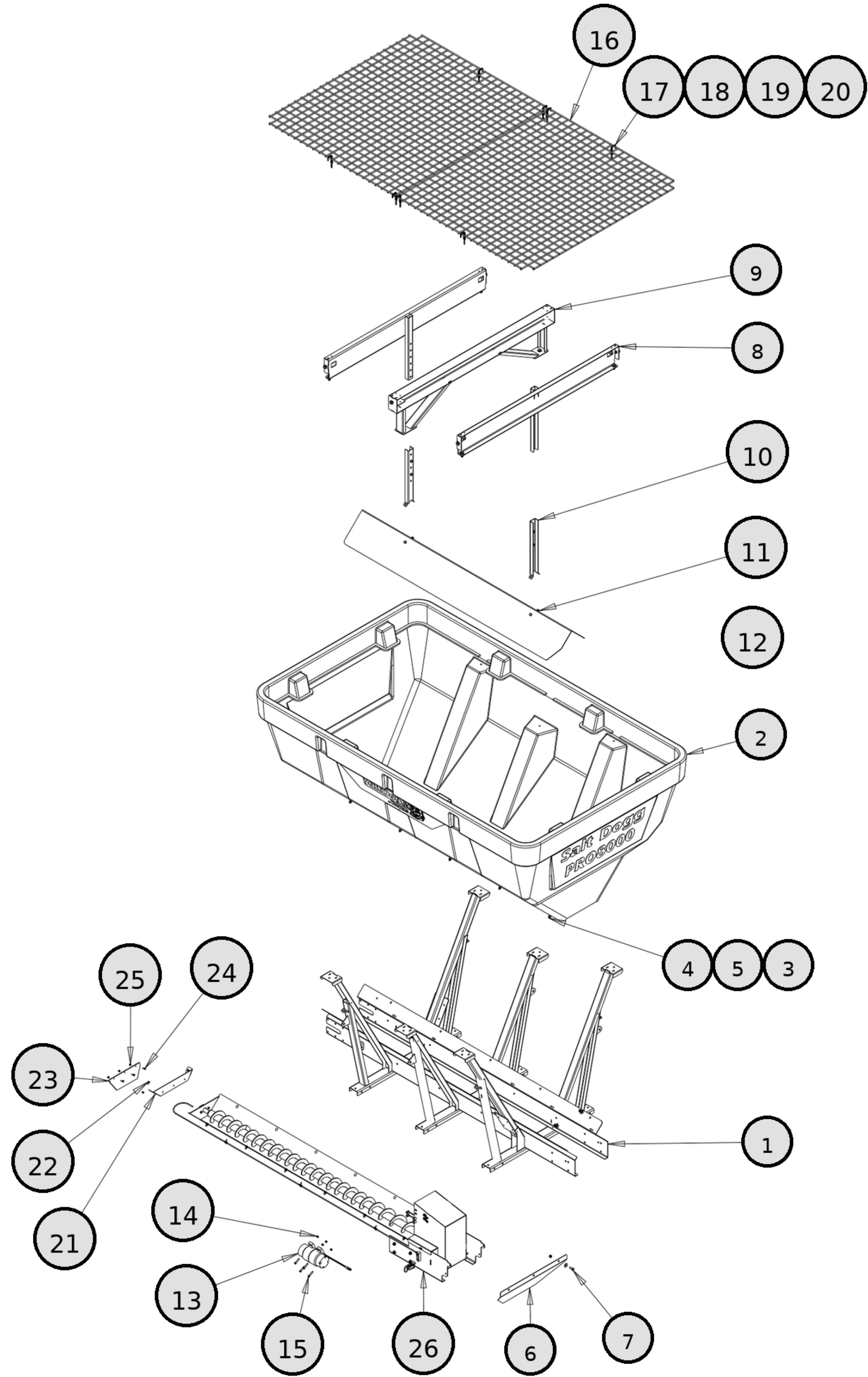
PRO6000CH / PRO6000



| REF | PN | DESCRIPTION |
|-----|----------------|---|
| 1 | 3052038 | LOWER CHUTE WELDMENT |
| 2 | 3056844 | UPPER CHUTE WELDMENT |
| 3 | 3016309 | MOTOR, .5HP SPINNER |
| 3 | 3054945 | PIGTAIL, PRO SPINNER MOTOR (2 CONNECTORS) |
| 4 | 3030182 | HUB, SPINNER POLY |
| 5 | 3052046 | SPINNER SHIELD |
| 6 | FWF038100007SS | WASHER, FLAT 3/8 USS SST |
| 7 | FCS038016075SS | SCREW, HHC-3/8-16 X 3/4 SST |
| 8 | FNE038016044SS | NUT, NYLOCK 3/8-16 X 7/16 SST |
| 9 | FWL038069009SS | WASHER, LOCK RHS-3/8 SST |
| 10 | 3030179 | SPINNER, 18" POLY CW |
| 11 | FCS031018175SS | SCREW, HHC 5/16-18 X 1 3/4 S |
| 12 | FNE031018034SS | NUT, NYLOCK, 5/16-18, GR A, SST |
| 13 | FWF031075006SS | WASHER, FLAT, 5/16 X .688 X .065, SST |
| 14 | 3053491 | MOTOR COVER, PRO CHUTE |
| 15 | 3018893 | SCREW, SELF DRILL, #10-16 SST |
| 16 | 3007113 | CLEVIS PIN, 5/16X2-1/2 |
| 17 | 3025065 | STRAIN RELIEF |
| 18 | 3002631 | LABEL "NO STEP" |
| 19 | 3014994 | COTTER PIN, 1/8X1 SST |

CHUTE ASSEMBLY, SIDE SWING

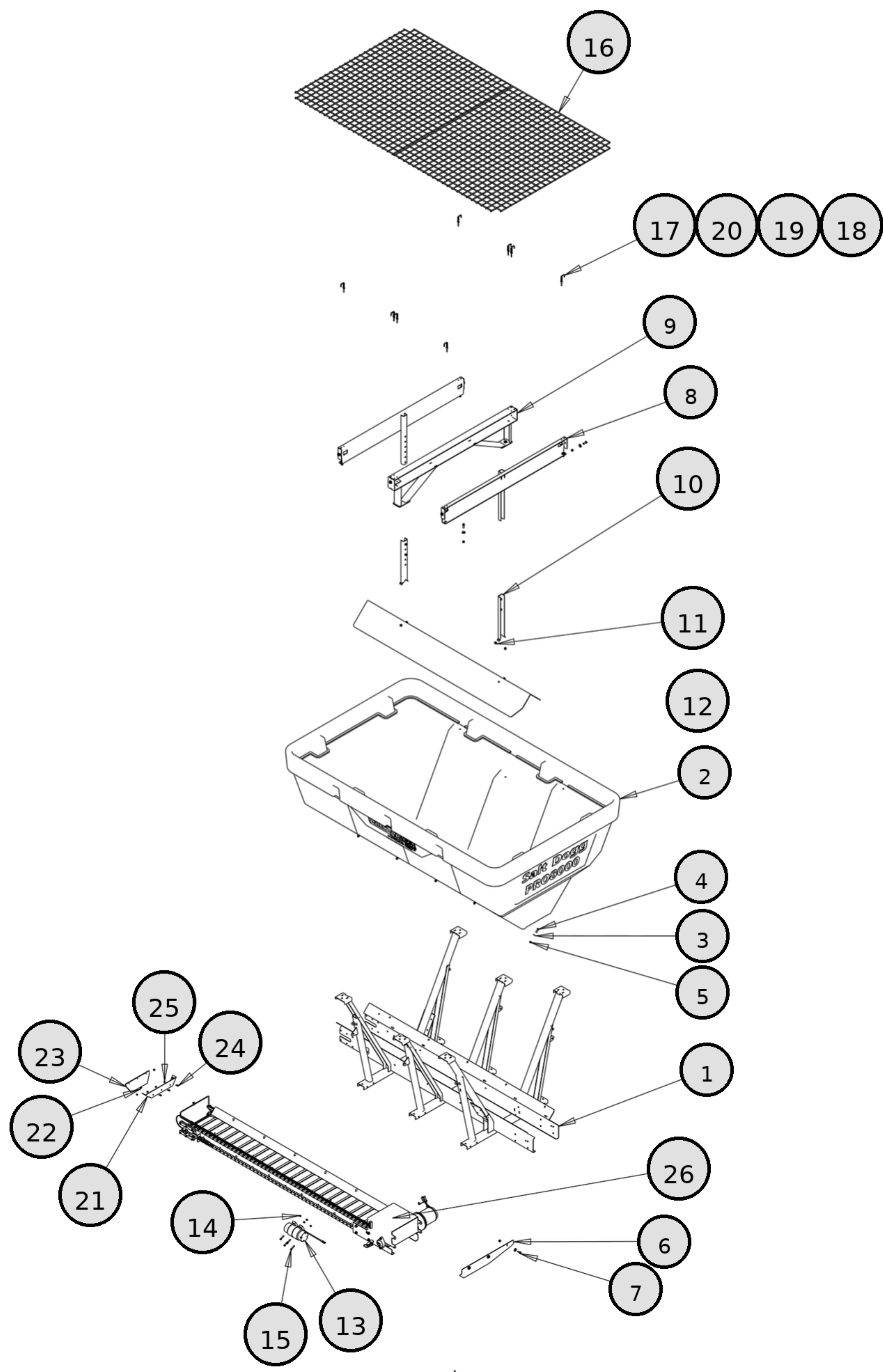
PRO6000CH / PRO6000 / PRO4000CH / PRO4000



| REF | PN | DESCRIPTION |
|-----|----------------|--|
| 1 | 3057474 | TROUGH WELDMENT, PRO8000 |
| 2 | 3057471 | HOPPER, PRO8000 |
| 3 | 3000269 | WASHER, FLAT 1/2 USS, SST |
| 4 | FCS050013150SS | SCREW, HHC-1/2-13 X 1.50 SST |
| 5 | FNE050013053SS | NUT, NYLOCK, 1/2-13, SST WAX |
| 6 | 3062883 | FLOW RESTRICTOR |
| 7 | FCS050013125SS | SCREW, HHC-1/2-13 X 1-1/4 SST |
| 8 | 3057483 | CROSS MEMBER, VEE SUPPORT |
| 9 | 3057482 | CROSS MEMBER WELDMENT |
| 10 | 3017731 | HANGER, INVERTED VEE |
| 11 | FCS050013100SS | SCREW, HHC-1/2-13 X 1 SST |
| 12 | 3063672 | DEFLECTOR, INVERTED VEE |
| 13 | 3019166 | VIBRATOR, 900LBS 12VDC |
| 14 | FNE038016044SS | NUT, NYLOCK, 3/8-16, SST WAX |
| 15 | 3007066 | SCREW, HCC 3/8-16X2 SST |
| 16 | 3057751 | WIRE MESH, PRO8000 |
| 17 | 3054283 | LOCK PIN, SCREEN |
| 18 | FPC009000075SS | COTTER PIN, 3/32X3/4 SST |
| 19 | FWF025063007SS | WASHER, FLAT 1/4 SAE SST |
| 20 | 3054284 | SPRING, LOCK PIN |
| 21 | 3057621 | BRACKET, WIPER BELT |
| 22 | FCS038016075SS | SCREW, HHC 3/8-16X3/4 SST |
| 23 | 3050273 | WIPER BELT |
| 24 | 3018701 | SCREW, HHC 5/16-18X1.0 SST |
| 25 | FNE031018034SS | NUT, NYLOCK 5/16-18 SST WAX |
| 26 | 3057622 | DRIVE ASSEMBLY, PRO8000 AUGER ELECTRIC |

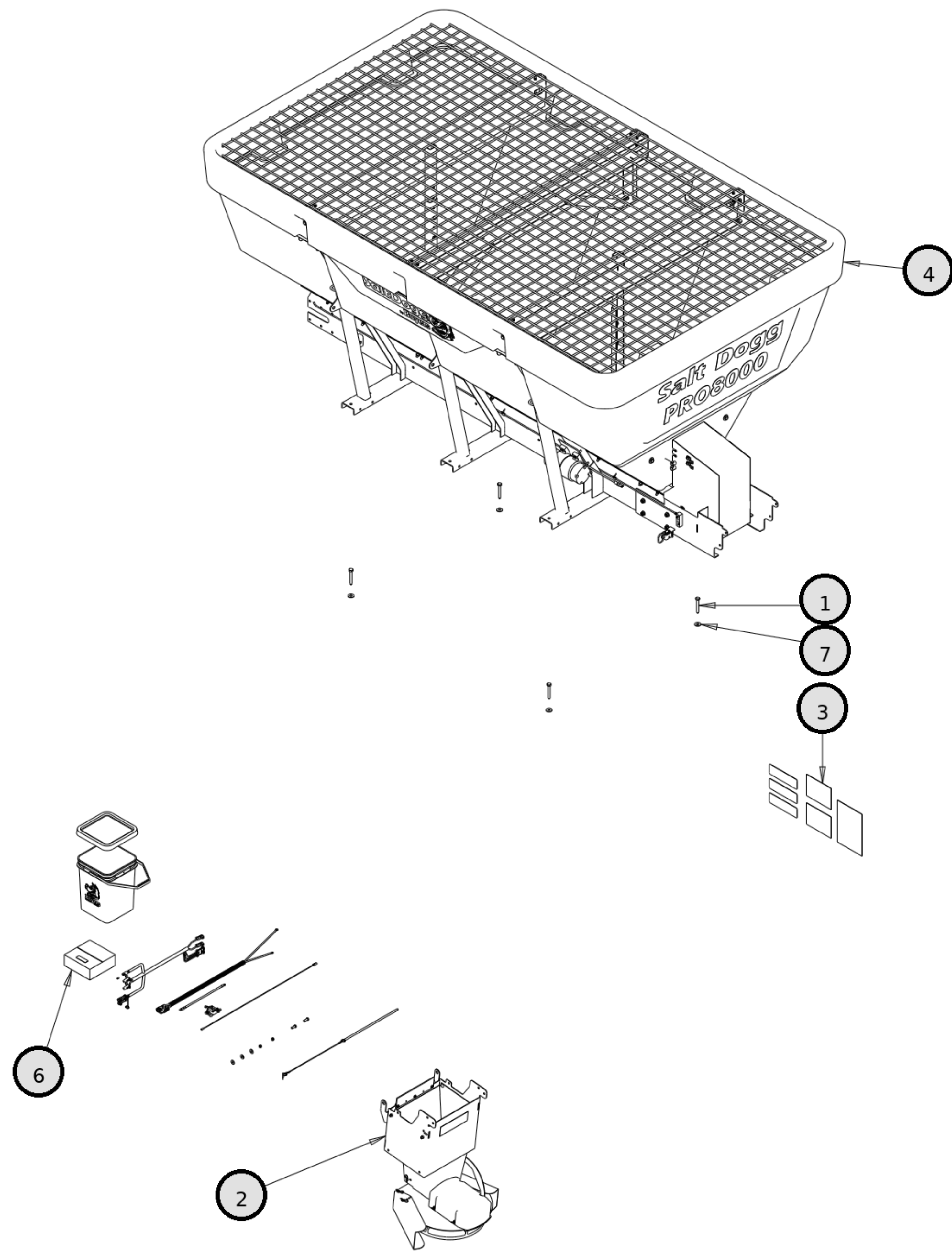
HOPPER ASSEMBLY

PRO8000



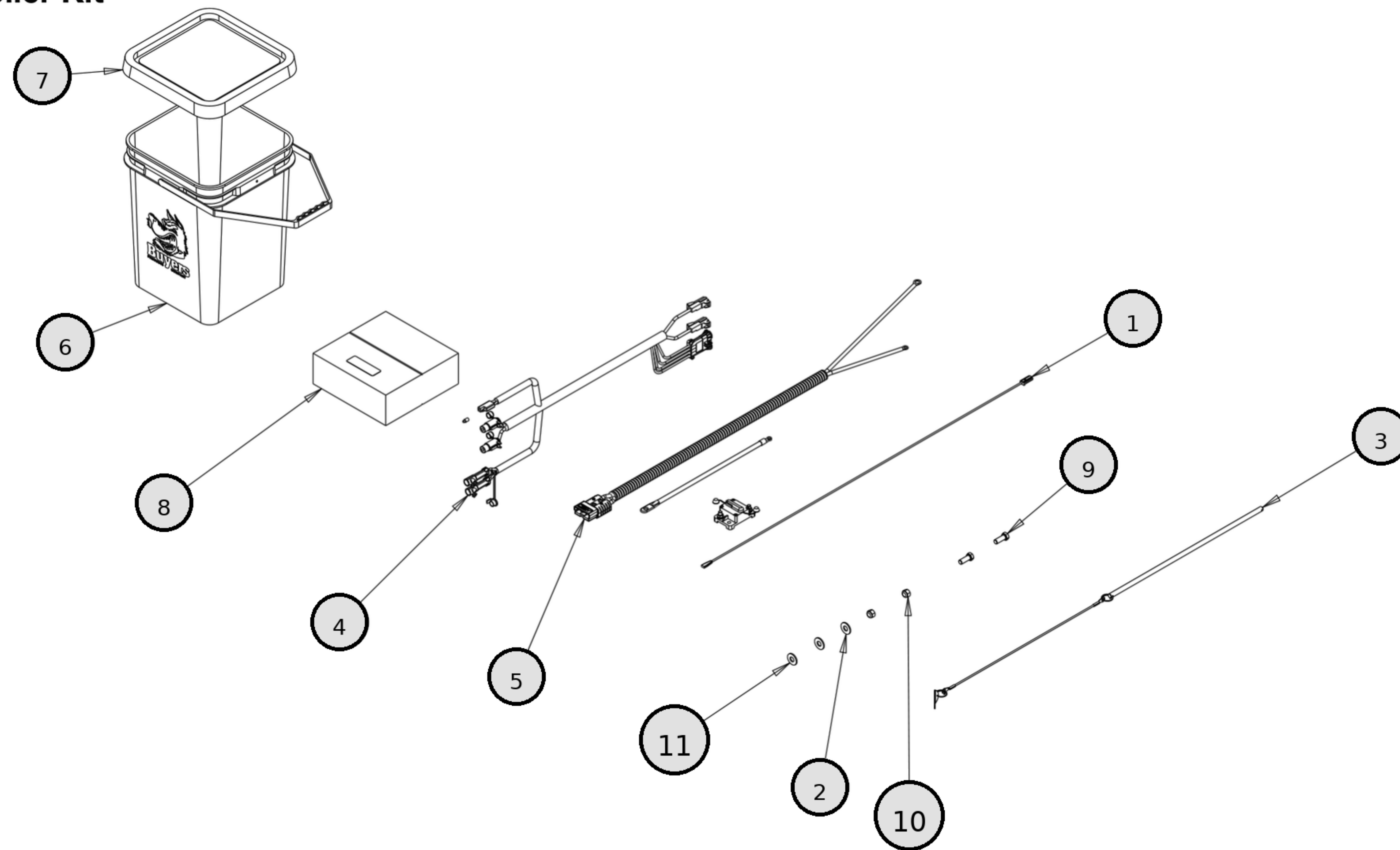
| REF | PN | DESCRIPTION |
|-----|----------------|---------------------------------------|
| 1 | 3057474 | TROUGH WELDMENT 10FT |
| 2 | 3057471 | HOPPER POLY 8 CU YD |
| 3 | 3000269 | WASHER, FLAT 1/2 USS, SST |
| 4 | FCS050013150SS | SCREW, HHC-1/2-13 X 1.50 SST |
| 5 | FNE050013053SS | NUT, NYLOCK, 1/2-13, SST WAX |
| 6 | 3062883 | FLOW RESTRICTOR |
| 7 | FCS050013125SS | SCREW, HHC-1/2-13 X 1-1/4 SST |
| 8 | 3057483 | CROSS MEMBER, VEE SUPPORT |
| 9 | 3057482 | CROSS MEMBER WELDMENT |
| 10 | 3017731 | HANGER, INVERTED VEE |
| 11 | FCS050013100SS | SCREW, HHC-1/2-13 X 1 SST |
| 12 | 3063672 | DEFLECTOR, INVERTED VEE |
| 13 | 3019166 | VIBRATOR 900 LBS 12 VDC |
| 14 | FNE038016044SS | NUT, NYLOCK, 3/8-16, SST WAX |
| 15 | 3007066 | SCREW, HHC-3/8-16 X 2 SST |
| 16 | 3057751 | WIRE MESH PRO8000 |
| 17 | 3054283 | LOCK PIN, SCREEN |
| 18 | FPC009000075SS | PIN, COTTER 3/32 X 3/4 STAINLESS |
| 19 | FWF025063007SS | WASHER, FLAT 1/4 SAE SS |
| 20 | 3054284 | SPRING, LOCK PIN |
| 21 | 3057621 | BRACKET, VIPER BELT |
| 22 | FCS038016075SS | SCREW, HHC-3/8-16 X 3/4 SST |
| 23 | 3050273 | WIPER BELT, FRONT, MID SIZE |
| 24 | 3018701 | SCREW, HHC 5/16-18 X 1.0 SST FULL THD |
| 25 | FNE031018034SS | NUT, NYLOCK, 5/16-18, SST WAX |
| 26 | 3057486 | DRIVE ASSEMBLY, PRO8000 CHAIN 12VDC |

HOPPER ASSEMBLY
PRO8000CH



| REF | PN | DESCRIPTION |
|-----|--------------|--|
| 1 | 3010850 | SCREW,HEX HD LAG,1/2 X4.0, ZN |
| 2 | 3030391 | CHUTE ADJUSTABLE ELECTRO, SST |
| 3 | 3056126 | DECAL KIT, MID X, AUGER, UNBRANDED |
| 4 | 3060504 | HOPPER ASSEMBLYPRO8000CH |
| 4 | 3060505 | HOPPER ASSEMBLY PRO8000 |
| 5 | 3060888 | PALLET SHIPPING PRO8000 |
| 6 | 3060889 | CONTROLLER/HARNESS KIT, PRO8000/8000CH |
| 7 | FWF050138014 | WASHER, FLAT, 1/2" USS, ZN |

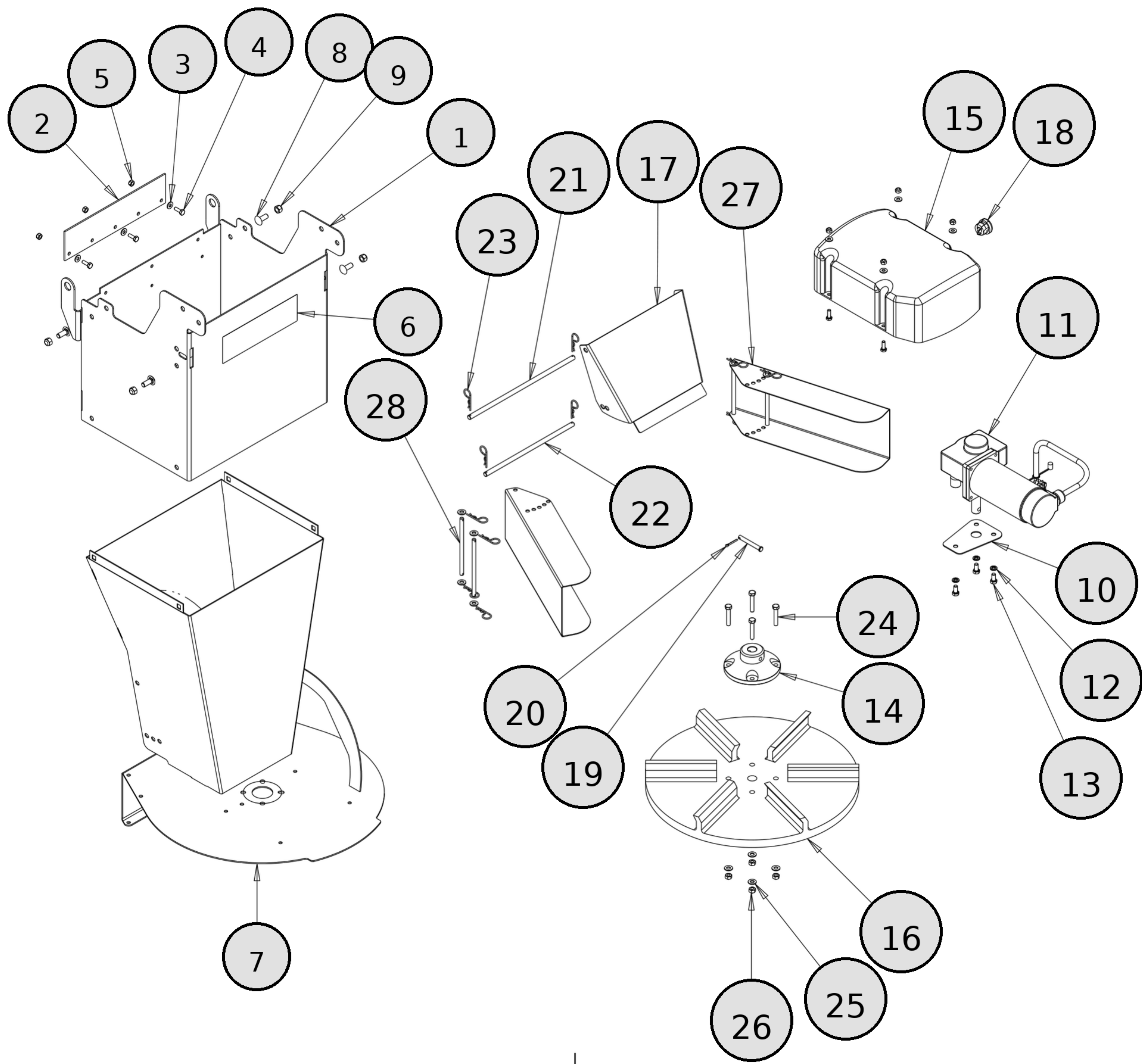
Controller Kit



| REF | PN | DESCRIPTION |
|-----|----------------|--------------------------------------|
| 1 | 0203700 | WIRE ASSEMBLY, 36 LONG |
| 2 | 3001361 | WASHER, 3/8 NYLON FLAT |
| 3 | 3030627 | LANYARD PIN ASSEMBLY |
| 4 | 3030628 | WIRE HARNESS MAIN |
| 5 | 3035938 | KIT POWER CABLE REPLACES 3016943 |
| 6 | 3055030 | BUCKET, SALTDogg PARTS |
| 7 | 3056767 | LID, BUCKET, SALTDogg PARTS |
| 8 | 3057918 | CONTROLLER,HIGH CURRENT,SPREADER 2CH |
| 9 | FCS038016100SS | SCREW, HHC 3/8-16 X 1 304 SST |
| 10 | FNE038016044SS | NUT, NYLOCK, 3/8-16, SST WAX |
| 11 | FWF038100007SS | WASHER, FLAT 3/8 USS SST |

CONTROLLER KIT

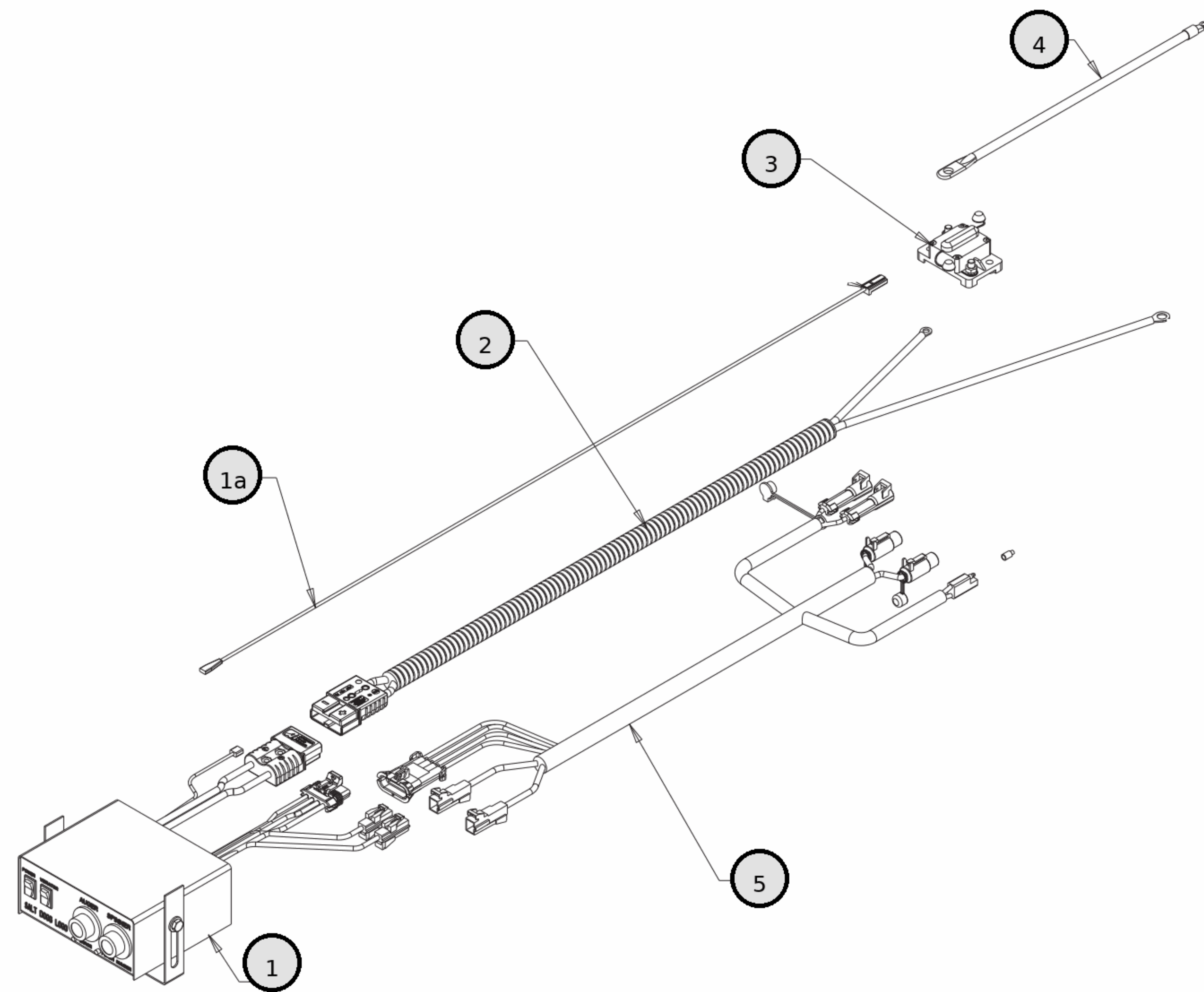
PRO8000CH / PRO8000



| REF | PN | DESCRIPTION |
|-----|----------------|--|
| 1 | 3030392 | UPPER CHUTE WELDMENT |
| 2 | 1410241 | WIPER BELT, HOPPER |
| 3 | FWF025063007SS | WASHER, FLAT 1/4 SAE SS |
| 4 | FCS025020075SS | SCREW, CAP 1/4-20 X 3/4 SST |
| 5 | FNE025020031SS | NUT, NYLON INSERT 1/4-20 SST |
| 6 | 9240131 | DECAL #1, DANGER STAY CLEAR |
| 7 | 3030420 | CHUTE LOWER WELDMENT |
| 8 | 3014960 | BOLT, 3/8-16 X 1 CARRIAGE SHORT NECK SST |
| 9 | FNE038016044SS | NUT, NYLOCK 3/8-16 X 7/16 SST |
| 10 | 3007824 | RETAINER GEARMOTOR, CHUTE |
| 11 | 3030222 | GEAR MOTOR .4 HP SPINNER |
| 12 | FWL031058008SS | WASHER, 5/16 LOCK SST |
| 13 | FCS031018063SS | SCREW, HHC 5/16-18 X 5/8 SST |
| 14 | 3030182 | HUB, SPINNER POLY |
| 15 | 3030575 | ENCLOSURE, GEAR MOTOR CHUTE |
| 16 | 3030179 | SPINNER 18" POLY CW |
| 17 | 3030579 | BAFFLE, CHUTE |
| 18 | 3025065 | BUSHING STRAIN RELIEF |
| 19 | 3007113 | PIN, CLEVIS, 5/16 X 2-1/2, .141 HOLE ZN |
| 20 | 3014994 | PIN, COTTER, 1/8IN X 1IN SST |
| 21 | 3030580 | PIN, BAFFLE ATTACHMENT |
| 22 | 3030581 | PIN, BAFFLE ADJUSTMENT |
| 23 | 3001257 | PIN, HAIR COTTER STAINLESS STL |
| 24 | FCS031018175SS | SCREW, HHC 5/16-18 X 1 3/4 SS |
| 25 | FWF031075006SS | WASHER, 5/16 SAE SST |
| 26 | FNE031018034SS | NUT, NYLOCK 5/16-18 SS |
| 27 | 3031025 | BAFFLE CHUTE ADJUST |
| 28 | 3031051 | PIN BAFFLE CHUTE |

FLIP UP CHUTE

PRO8000CH / PRO8000 / PRO6000CH / PRO4000CH



| REF | PN | DESCRIPTION |
|-----|---------|---|
| - | 3058402 | CONTROLLER KIT (BUCKET), PRO W/INSTRUCTIONS |
| - | 3058858 | CONTROLLER KIT (BUCKET) SCH W/INSTRUCTIONS |
| 1 | 3057918 | CONTROLLER, PRO |
| 1A | 0203700 | ENABLE WIRE (3016934 ONLY) |
| 2-4 | 3035938 | POWER HARNESS KIT, PRO |
| 2 | 3035935 | POWER HARNESS, PRO |
| 3 | CB150PB | CIRCUIT BREAKER, 150A |
| 4 | 3001379 | BATTERY CABLE |
| 5 | 3017233 | CONNECTOR REPAIR KIT, 3030628 TO CONTROLLER (4 PIN) |
| 5 | 3020301 | CONNECTOR REPAIR KIT, 3030628 TO SPINNER (2 CONNECTORS) |
| 5 | 3024738 | CONNECTOR REPAIR KIT, 3030628 TO DRIVE MOTOR (2 CONNECTORS) |
| 5 | 3030628 | CONTROL HARNESS, PRO, 2 CONNECTOR SPINNER |
| 5 | 3054942 | PIGTAIL, 3030628 TO VIBRATOR |
| 5 | 3054943 | PIGTAIL, 3030628 TO DRIVE MOTOR (2 CONNECTORS) |
| 5 | 3054945 | PIGTAIL, 3030628 TO SPINNER (2 CONNECTORS) |

CONTROL HARNESSES

PRO8000CH / PRO8000 / PRO6000CH / PRO6000 / PRO4000CH / PRO4000 / PRO3000CH / PRO3000